

# FRIGIDAIRE

affinity



## Front Load Washers

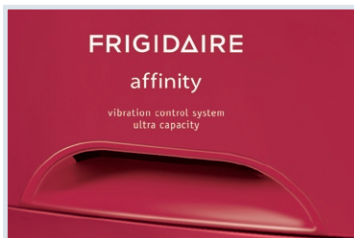
FAFW4071L W/R/A/B

7 Wash Cycles  
4.0 Cu. Ft.



Optional SpaceWise™ Pedestal Drawer Shown

### Signature Features



#### Vibration Control System

Advanced vibration control technology keeps even oversized loads balanced for smooth, quiet operation. Ideal for second floor installation.



#### TimeWise™

Wash time equals dry time — so you don't wait for clothes to dry.



#### Fresh Water Rinse

Our Advanced Rinse Technology reduces the amount of detergents and additives that may cause allergies.



#### Certified Allergen Cycle

Removes up to 95% of allergens.

### Product Dimensions

Height	36"
Width	27"
Depth	31"

### More Easy To Use Features

#### Quick Laundry

Wash and dry a full load in just 50 minutes.

#### Quick Sanitize

Sanitizes items in just one hour—half the time standard washers require.

#### Energy Saver Option

Further reduces energy use up to 35%.

#### SilentDesign™

for quiet operation.

#### Stay-Fresh Antimicrobial Seal

#### Optional SpaceWise™ Pedestal Drawer

ENERGY STAR®

NSF® International Certification



#### Available in:



Classic White (W)



Classic Red (R)

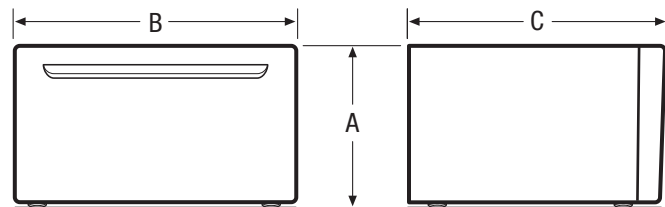
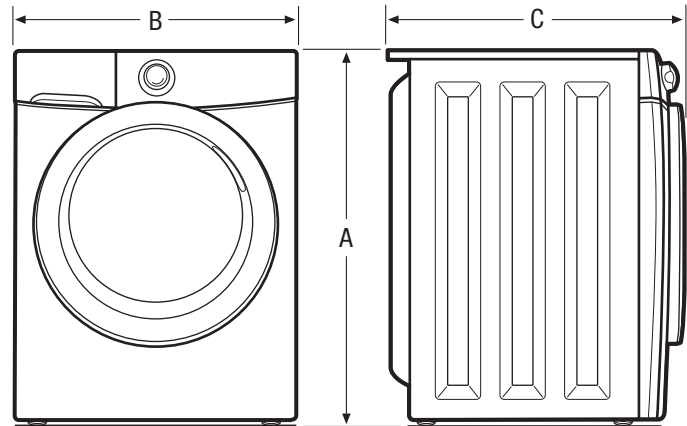


Classic Silver (A)



Classic Black (B)

Features	
Express-Select™ Controls	Yes
Washer Drum Interior	Stainless Steel
Interior Light	Yes
Door Trim	Chrome
Vibration Control System	Yes
Advanced Rinse Technology	Yes
TimeWise™ Technology	Yes
Ready Clean™	
Ready Steam™	
Freshwater Rinse	Yes
Stay-Fresh Antimicrobial Seal	Yes
Automatic Temperature Control	Yes
Automatic Water Level Adjustments	Yes
Auto Prewash Detergent Dispenser	
Auto Bleach Dispenser	Yes
Auto Detergent Dispenser	Yes
Auto Fabric Softener Dispenser	Yes
Time Remaining Indicator	Chime
End of Cycle Signal	Yes
Cycle Status Lights	Yes
Cycle Status Volume	Yes
Door Lock Indicator Light	Yes
Control Lock/Stay-Put Door	Yes/Yes
Start/Pause/Cancel Buttons	Yes
Delay Start	1 to 12 Hours
Integral Water Heater	Yes, 1000 Watts
Tumble Speed (RPM)	34/47
Spin Speed (RPM)	1200
Reversible Door	Yes
Sound Package	SilentDesign™ Plus
Adjustable Leveling Legs	Yes
Cycles	
Wash Cycles	7
Specialty Cycles	0
Options	
Water Temperature Selections	5
Water Levels	Automatic
Spin Speed Selections	5
Soil Level Selections	3
Allergen	Yes
Optional Accessories	
Dryer Stacking Kit	PN# Stackit4X
15" Classic White Drawer Pedestal	PN# CFPWD15W
15" Classic Red Drawer Pedestal	PN# CFPWD15R
15" Classic Silver Drawer Pedestal	PN# CFPWD15A
15" Classic Black Drawer Pedestal	PN# CFPWD15B
Mobile Home Installation Kit	PN# 137067200
Drain Hose Extension Kit	PN# 137098000
Certifications	
ENERGY STAR®	Yes
NSF® Certified Sanitize/Allergen	Yes/Yes
Specifications	
Total Capacity I.E.C. (Cu. Ft.)	4.0
Power Supply Connection Location	Top Right Rear
Water Inlet Connection Location	Top Left Rear
Voltage Rating	120V/60Hz/15A
Connected Load (kW Rating) @ 120 Volts¹	1.4
Watts @ 120 Volts	1,000
Amps @ 120 Volts	8
Minimum Circuit Required (Amps)	20
Shipping Weight (Approx.)	222 Lbs.



NOTE: Always consult local and national electric and plumbing codes. Refer to Product Installation Guide for detailed installation instructions on the web at [frigidaire.com](http://frigidaire.com).



Product Dimensions	
A - Height (Single)	36"
Height (Stacked)	71-1/2"
B - Width	27"
C - Depth	31"
Depth with Door Open 90°	51-3/8"
Pedestal Dimensions	
A - Height	15-1/4"
B - Width	27"
C - Depth	26-1/4"

<sup>1</sup>For use on adequately wired 120V, dedicated circuit having 2-wire service with a separate ground wire. Appliance must be grounded for safe operation.

## FRIGIDAIRE

USA • 250 Bobby Jones Expressway • Martinez, GA 30907 • 1-800-FRIGIDAIRE • [frigidaire.com](http://frigidaire.com)  
 CANADA • 5855 Terry Fox Way • Mississauga, ON L5V 3E4 • 1-800-265-8352 • [frigidaire.ca](http://frigidaire.ca)