

FRIGIDAIRE

affinity



Front Load Washers

FAFW3801L B/W

5 Wash Cycles
3.26 Cu. Ft. D.O.E.



Optional SpaceWise® Pedestal Drawer Shown

Product Dimensions

| | |
|--------|----------|
| Height | 36" |
| Width | 27" |
| Depth | 30-5/16" |

More Easy To Use Features

SilentDesign™
Designed for quiet operation.

Stay-Fresh™ Door Seal

Optional Pedestal Drawer



ENERGY STAR®

Available in:



Classic
Black
(B)



Classic
White
(W)

Signature Features



Vibration Control System

Advanced vibration control technology keeps even oversized loads balanced for smooth, quiet operation. Ideal for second floor installation.



TimeWise® Technology

TimeWise® technology ensures wash time equals dry time — so you don't wait for clothes to dry.



Fresh Water Rinse Option

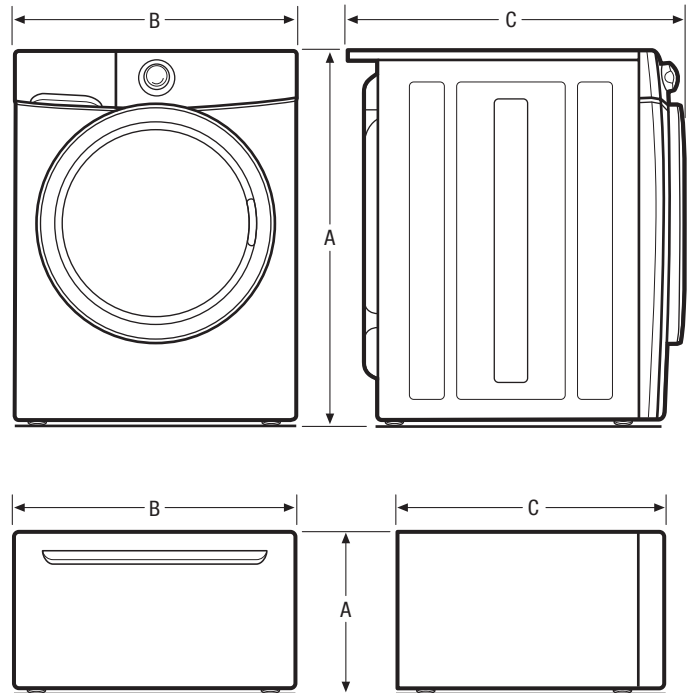
An additional rinse cycle uses advanced rinse technology to effectively reduce detergents and additives.



Express-Select® Controls

Easily select options with the touch of a button.

| Features | |
|---|----------------------|
| Total Capacity D.O.E. (Cu.Ft.) | 3.26 |
| Controls | Express-Select® |
| Washer Drum Interior | Stainless Steel |
| Interior Light/Door Trim | No/Color-Coordinated |
| Vibration Control System | Yes |
| Wash System | Tumble Action |
| Advanced Rinse Technology | Yes |
| TimeWise® Technology | Yes |
| Ready Clean™/Ready Steam™ | |
| Fresh Water Rinse Option | Yes |
| Stay-Fresh™ Door Seal | Yes |
| Automatic Temperature Control | Yes |
| Automatic Water Level Adjustments | Yes |
| Auto Prewash Detergent Dispenser | |
| Auto Bleach Dispenser | Yes |
| Auto Detergent Dispenser | Yes |
| Auto Fabric Softener Dispenser | Yes (LED Segment) |
| Time Remaining Indicator | Yes |
| Cycle Status Lights | Yes |
| Cycle Signal/Cycle Signal "On/Off" | Chime/Yes |
| Cycle Signal Volume Control | Yes |
| Door Lock Indicator Light | Yes |
| Control Lock/Stay-Put Door | Yes/Yes |
| Start/Pause/Cancel Buttons | Yes |
| Energy Saver Option | |
| Delay Start | 1 to 10 Hours |
| Integral Water Heater | |
| Tumble Speed (RPM) | 33/47 |
| Spin Speed (Maximum RPM) | 1100 |
| Sound Package | SilentDesign™ |
| Adjustable Leveling Legs | Yes |
| Cycles | |
| Wash Cycles/Specialty Cycles | 5/0 |
| Options | |
| Water Temperature Selections | 5 |
| Water Levels | Automatic |
| Spin Speed/Soil Level Selections | 5/3 |
| Allergen | |
| Optional Accessories | |
| Dryer Stacking Kit | PN# STACKIT4X |
| 15" Frigidaire Affinity® Pedestal Drawers | |
| Classic Red (R) | |
| Classic Blue (N) | |
| Classic Silver (A) | |
| Classic Black (B) | (B) PN# CFPWD15B |
| Classic White (W) | (W) PN# CFPWD15W |
| Mobile Home Installation Kit | PN# 137067200 |
| Drain Hose Extension Kit | PN# 137098000 |
| Certifications | |
| ENERGY STAR® | Yes |
| NSF® Certified Sanitize/Allergen | |
| Specifications | |
| Power Supply Connection Location | Right Top Rear |
| Water Inlet Connection Location | Left Top Rear |
| Voltage Rating | 120V/60Hz/15A |
| Connected Load (kW Rating) @ 120 Volts¹ | 1.4 |
| Watts @ 120 Volts/Amps @ 120 Volts | 1,000/8 |
| Minimum Circuit Required (Amps) | 20 |
| Shipping Weight (Approx.) | 222 Lbs. |



NOTE: For planning purposes only. Always consult local and national electric and plumbing codes. Refer to Product Installation Guide for detailed installation instructions on the web at frigidaire.com.



| Product Dimensions | |
|--------------------------|----------|
| A - Height (Single) | 36" |
| Height (Stacked) | 71-1/2" |
| B - Width | 27" |
| C - Depth | 30-5/16" |
| Depth with Door Open 90° | 51-7/16" |
| Pedestal Dimensions | |
| A - Height | 15-1/4" |
| B - Width | 27" |
| C - Depth | 26-1/4" |

¹For use on adequately wired 120V, dedicated circuit having 2-wire service with a separate ground wire. Appliance must be grounded for safe operation.

Accessories information available on the web at frigidaire.com

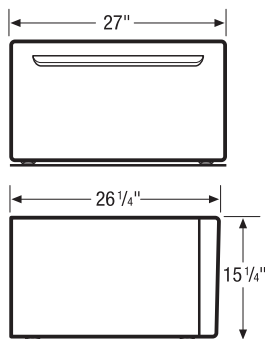
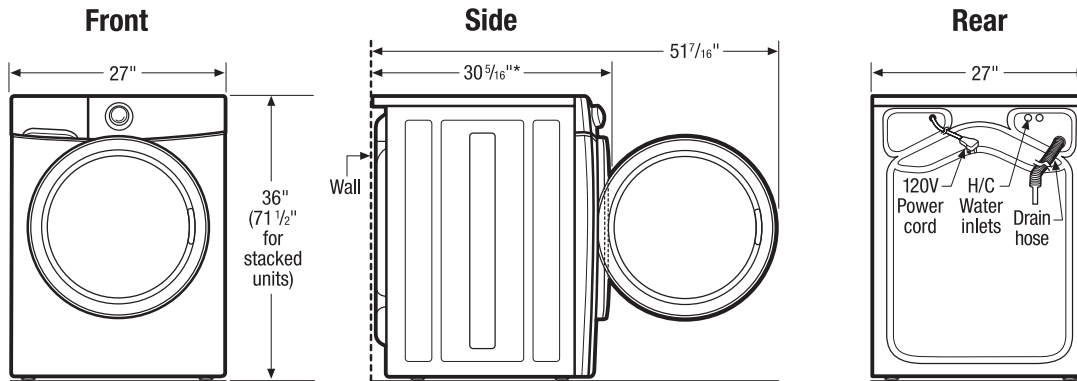
FRIGIDAIRE

USA • 10200 David Taylor Drive • Charlotte, NC 28262 • 1-800-FRIGIDAIRE • frigidaire.com
 CANADA • 5855 Terry Fox Way • Mississauga, ON L5V 3E4 • 1-800-265-8352 • frigidaire.ca

FAFW3801L 09/11

© 2011 Electrolux Home Products, Inc.

Specifications subject to change.
 Printed in the U.S.A.

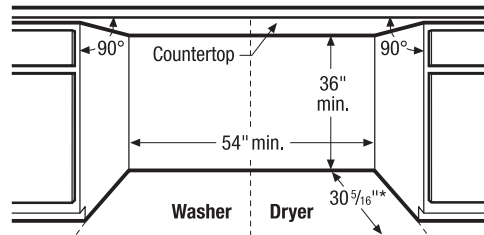


15" Drawer Pedestal Installation

Elevates washer height to 51 1/4". For detailed pedestal installation, refer to instructions included with pedestal or on web. **Note:** Pedestal Installation requires modified utility hookup locations. For details, refer to Product Installation Guide on web.

Built-In Installations

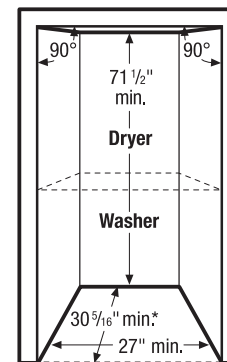
For built-in installations, NO minimum clearance required around sides or backs of units. For closet installation, allow additional 1" clearance between fronts of units and door. Location of plumbing, exhaust and utility hookups MUST be considered in built-in installations. For additional installation details, refer to Product Installation Guides on web.



Side-by-Side Units in Under-Counter Installation

Can be installed with standard countertop and/or cabinetry.

* To achieve minimal installation depth dimensions, dryer MUST be vented straight back. For installation with quick-turn 90° elbow, refer to Product Installation Guide on web for approximate clearances incurred with multi-directional exhausting options in freestanding, pedestal-mounted, or stacked installation.



Stacked Units in Recessed or Closet Installation

For detailed stacked installation, refer to instructions included with Stacking Kit or on web. **Note:** Stacked installation requires modified utility hookup locations for dryer. For details, refer to Product Installation Guide on web.

Front Load Washer Specifications

- Product Shipping Weight (approx.) - 222 Lbs.
- An electrical supply with grounded three-prong receptacle is required. The power supply circuit must be installed in accordance with current edition of National Electrical Code (ANSI/NFPA 70) and local codes & ordinances. (Do not use same circuit as dryer.)
- Voltage Rating - 120V/60 Hz/15 Amps
- Amps @ 120 Volts = 8 Amps
- Equipped with 120V 3-wire power supply cord, approx. 60" long.
- Always consult local and national electric & plumbing codes.
- To maximize detergent effectiveness, ambient temperature should never be below 60° F.
- Can be installed alone, with or without optional 15" Drawer Pedestal, or stacked below matching Frigidaire® Affinity Dryer, which requires installation of optional Dryer Stacking Kit. (For installation details, refer to instructions included with optional pedestal or stacking kit or on web.)
- Can be built in with matching Frigidaire® Affinity Dryer in under-counter, recessed or closet installation. (Refer to Built-In Installations on this page for cutout dimensions. For additional installation details, refer to Product Installation Guide on web.)
- Closet installation requires vented door with 2 unobstructed louvered openings, minimum 60 sq. in. each, located 3" from top and bottom of door. Full-length 120 sq. in. opening also acceptable. Allow additional 1" clearance between fronts of units and closed door.
- Do NOT install in area exposed to dripping water or outdoor weather conditions, or where gasoline or other flammables, including automobiles, are kept or stored.

- Floor MUST be solid with 1" maximum slope. To minimize vibration or movement, reinforcement of floor may be necessary. Do NOT install on carpeted surface.
- Leveling legs supplied to level washer properly and reduce excessive noise and vibration.
- H/C water faucets MUST be installed within 42" of washer's water inlet and MUST be 3/4" to connect to 43" inlet hoses.
- Water pressure MUST be between 30 and 120 psi with NOT more than 10 psi pressure difference between hot and cold.
- Drain required with standpipe diameter of 1-1/4" min. and height of 24" min./96" max. above floor, capable of eliminating 17 gallons per minute. Attached 52" drain hose can reach 74"-high standpipe. For higher standpipe, optional Drain Hose Extension Kit available.

Note: For planning purposes only. Refer to Product Installation Guide on the web at frigidaire.com for detailed instructions.

Optional Accessories

- Dryer Stacking Kit - (PN# STACKIT4X).
- 15" Classic Black Drawer Pedestal - (PN# CFPWD15B).
- 15" Classic White Drawer Pedestal - (PN# CFPWD15W).
- Mobile Home Installation Kit - (PN# 137067200).
- Drain Hose Extension Kit - (PN# 137098000).