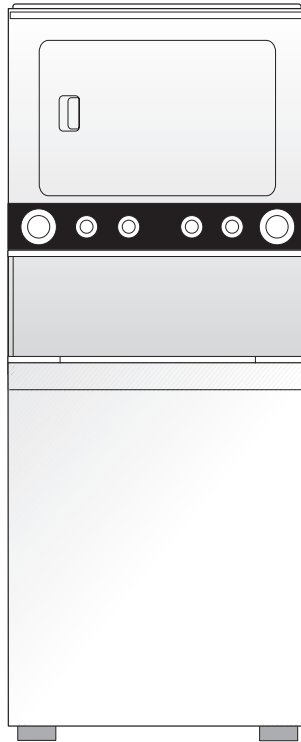


FACTORY PARTS CATALOG LAUNDRY CENTER

Frigidaire



PRODUCT NO.	BASE MODEL NO.	SERIES	MARKET	COLOR
FEX831CS0	FEX831C	Frigidaire	North America	white

WIRING DIAGRAM - # 134135600
OWNER'S GUIDE - 131781700
INSTALLATION INSTRUCTIONS - # 131661700
WASHER OPERATING INSTRUCTIONS - # 131919500
DRYER OPERATING INSTRUCTIONS - # 134067200

LAUNDRY CENTER

Model number

FEX831C

 **Electrolux**

ELECTROLUX HOME PRODUCTS, INC.
P.O BOX 212378, AUGUSTA, GA 30917

Publication No.

5995396412

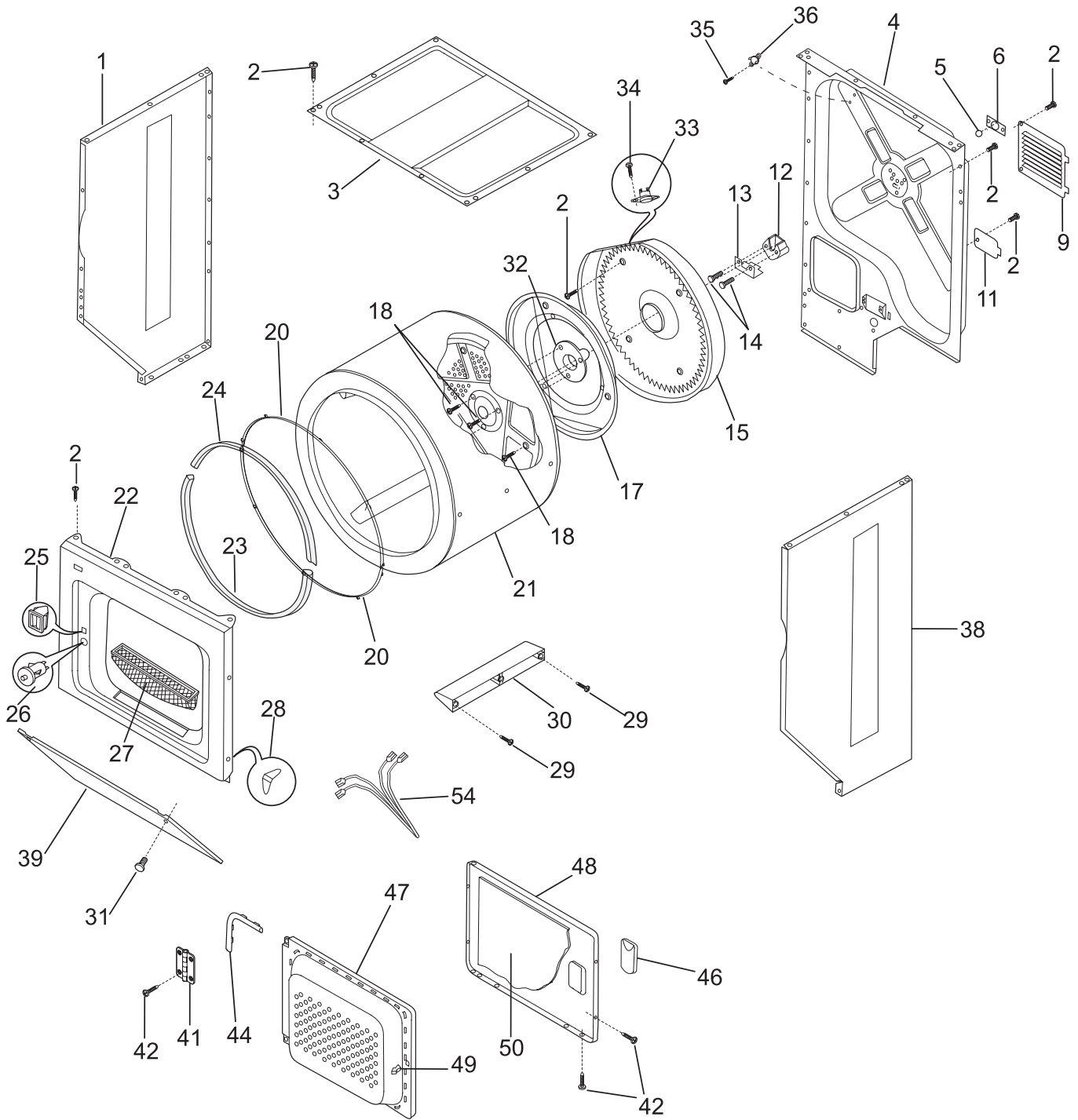
030922

-EN/SERVICE /KC

361

©2003 Electrolux Home Products, Inc.
All rights reserved

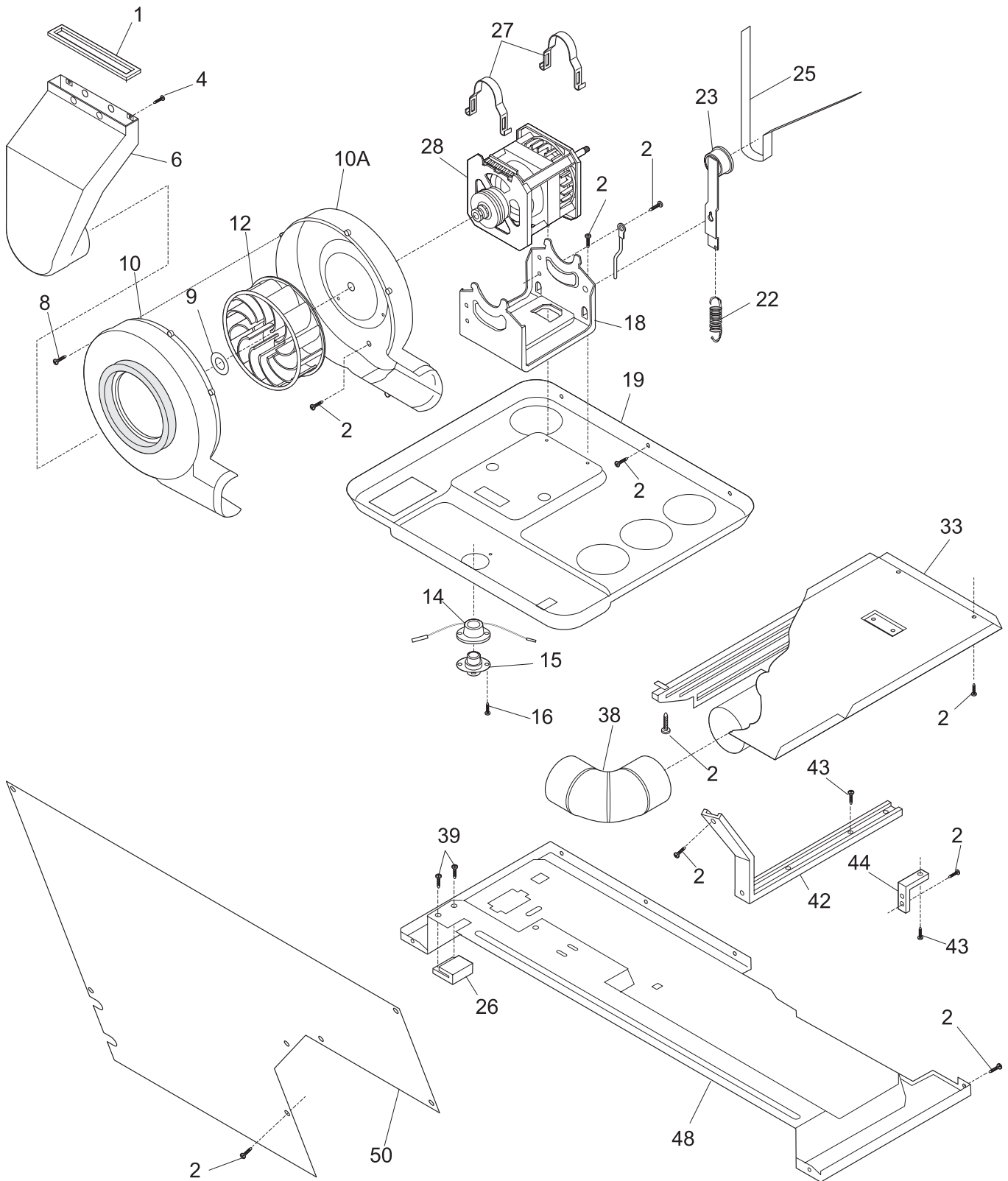
UPPER CABINET / DRUM / HEATER



UPPER CABINET / DRUM / HEATER

POS. NO	PART NO	DESCRIPTION
1	131084700	Panel,left side ,white
2	131168200	Screw,pan head ,8-18B x 0.31
3	131883301	Panel,top
4	131752302	Panel,rear ,steel ,galvanized
5	5303281019	Ball
6	5303281020	Clip,ball ,steel ,flat nut
9	3204249	Panel,motor access ,rear
11	3204250	Cover,terminal block
12	131825900	Bearing,drum support
13	131724300	Bracket,bearing support
14	131205400	Screw,bracket mtg. ,10-16B x 1.375, cr/sq drive
15 #	131475300	Heater Assy,w/housing
17	3204254	Baffle,heater shield
18	131477000	Screw,10-16AB x 0.375
20	131963900	Glide,drum
21	134122532	Drum,dryer ,galvanized stl., service kit
22	134031600	Panel,front ,white ,svce kit w/plug
22*	131870700	Plug,light hole
23	134134700	Seal,felt ,lower
24	134036400	Seal,felt ,upper
25	131658800	Door Catch
26 #	5308001614	Switch,door ,w/o drum light
27	131359600	Lint Trap
28	5303281074	Clip,guide ,(3)
29	131382300	Screw,quadrex head ,10-14 x 1.00, vane mtg.,special
30	5303201200	Vane,straight
31	131202300	Screw,pph ,10-16AB x 0.625
32	131777700	Shaft,drum support ,ballhitch
33 #	3204267	Thermostat,safety
34	131243800	Screw,pan hd locking ,8-32CA x 0.375, cup point
35	131892100	Screw,6-20B x 0.230
36 #	134120900	Thermal Limiter
38	131084800	Panel,right side ,white
39	131084402	Panel,access ,white ,front
41	131627500	Hinge,door
42	131209600	Screw,flat head ,8-18AB x 0.44, cr/sq drive
44	131129900	Gasket,door seal
46	131789400	Handle,door ,white
47	131579103	Panel,inner door ,white
48	131789303	Panel,outer door ,white
49	5303211430	Door Strike
50	3204286	Insulator,heat shield ,outer door
54 #	131498900	Wiring Harness,door switch ,w/o light

MOTOR / BLOWER / BELT

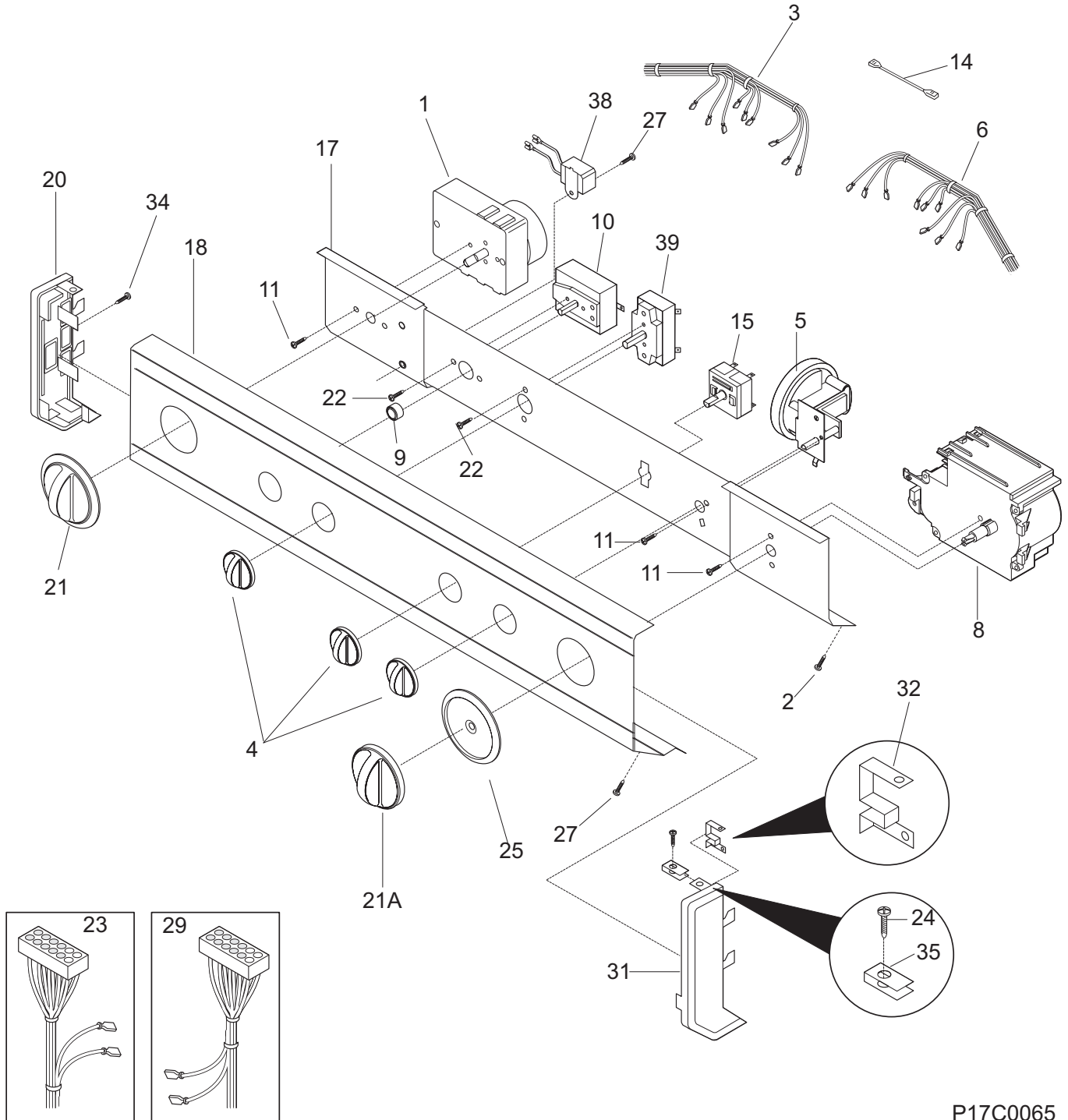


P17B0032

MOTOR / BLOWER / BELT

POS. NO	PART NO	DESCRIPTION
1	131295200	Seal,air duct
2	131168200	Screw,pan head ,8-18B x 0.31
4	131362400	Fastener,push-in
6	134086300	Duct,air
8	3205245	Screw,pan head ,6-18AB x 0.60
9	5303304824	Clamp
10	131784500	Housing,blower ,front ,with seal
10A	134145100	Housing,blower ,rear
12	131476300	Blower Wheel
14 #	131658100	Thermostat,heater
15 #	3204307	Thermostat,control
16	131311900	Screw,quadrex ph ,8-18AB x 0.500
18	131413600	Cradle,motor mount ,with idler stud
19	131363901	Panel,motor cradle mt
22	3205241	Spring,idler
23	131863100	Idler Arm Assy,with pulley
25 #	134163500	Belt,dryer drive
26	5303212870	Block,support ,bottom panel
27	134242400	Clamp,motor mtg.
28 #	134196600	Motor,dryer drive ,with pulley
33	131731400	Shield,access area ,cover
38	3204320	Elbow,exhaust duct
39	131205100	Screw,#8 pan head ,10-10B x 0.500, cr/sq drive
42	3204324	Bracket,marriage ,interior
43	131751500	Screw,hex head ,12-24T 0.63
44	3204326	Bracket,L mounting ,cabinet rear, external
48	131731300	Panel,dryer ,bottom rear
50	3204329	Cover,safety ,lower front

CONTROL PANEL

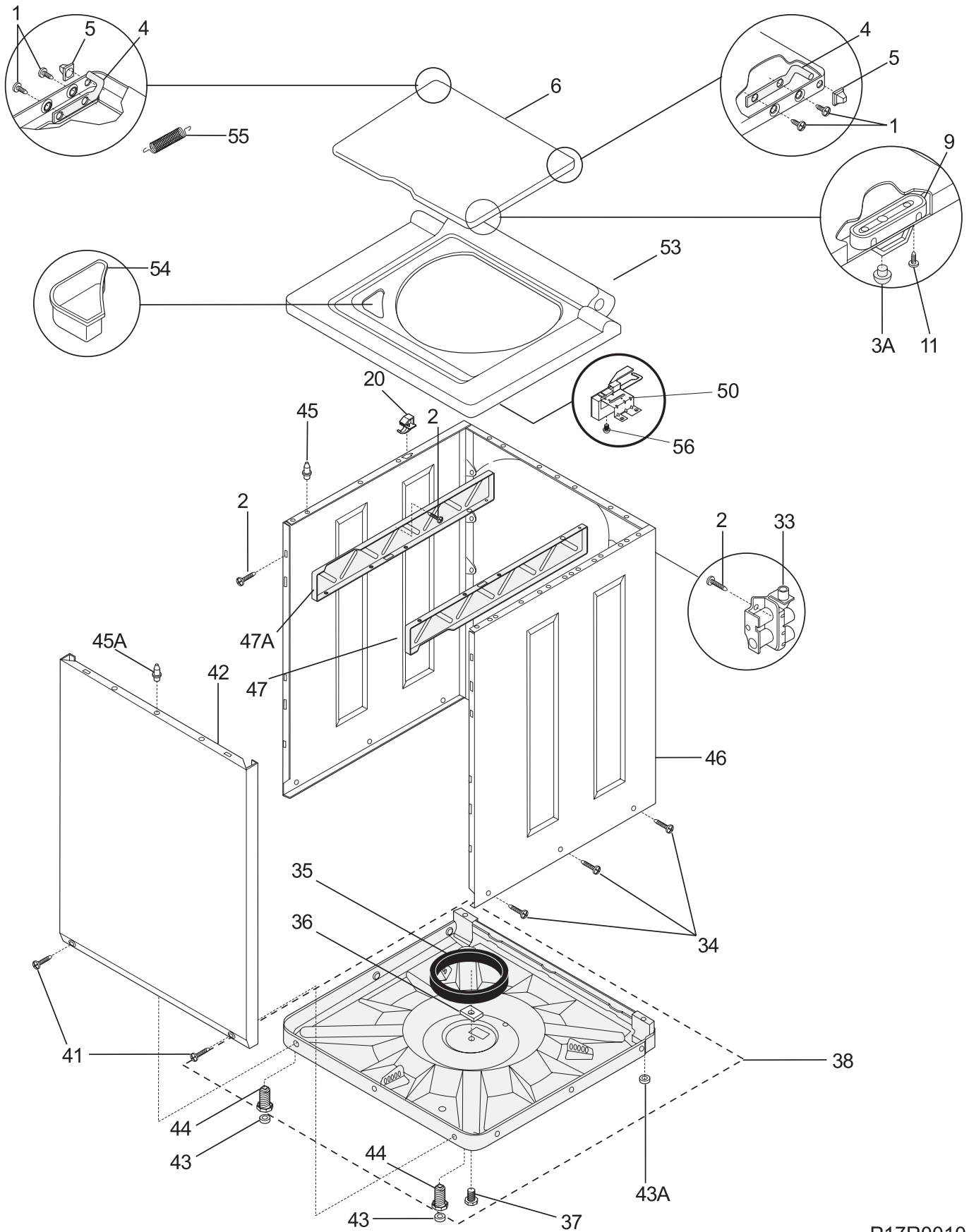


P17C0065

CONTROL PANEL

POS. NO	PART NO	DESCRIPTION
1 #	5303297177	Timer,dryer
2	131168200	Screw,pan head ,8-18B x 0.31
3 #	134066000	Wiring Harness,dryer control
4	131873404	Knob,rotary ,white/dk gray
5	131692100	Switch,pressure ,3 position ,1/2 hp
6 #	134122200	Wiring Harness,washer control, w/temp switch
8 #	131758600	Timer,washer
9	131111501	Button,start switch ,white ,push type
10 #	131628900	Switch,push start
11	5303283289	Screw,cr pan head ,8-32 x 0.250, thread forming
14 #	3205243	Resistor,power ,4.4 kilohm, with terminal
15 #	131620800	Switch,temp selector ,3 posn rotary
17	131983410	Bracket,control mtg
18	134310300	Panel,trimplate ,console front
20	131288101	End Cap,white ,LH
21	131873304	Knob,dryer timer ,white
21A	131977201	Knob,washer timer ,white
22	131311700	Screw,pan head quad ,8-32 x 0.15
23 #	134119400	Wiring Harness,main
23*#	5303937016	Terminal Block,main
23*	5303208586	Screw,terminal block ,(3)
24	131209600	Screw,flat head ,8-18AB x 0.44, cr/sq drive
25	131976804	Indicator,timer pointer, white/dark gray,washer
27	131892100	Screw,6-20B x 0.230
29 #	134113400	Wiring Harness,washer ,lower
29*	5303161300	Strap,plastic
31	131288211	End Cap,white ,RH
32	3204357	Clip,grounding
34	131243700	Screw,pan head ,8-18AB x 0.375, cr/sq drive
35	5308014350	Clip,end cap mtg ,U-type
38 #	5303286537	Buzzer
39 #	134045300	Switch,dryer temp ,2 posn rotary

LOWER CABINET / TOP



P17R0010

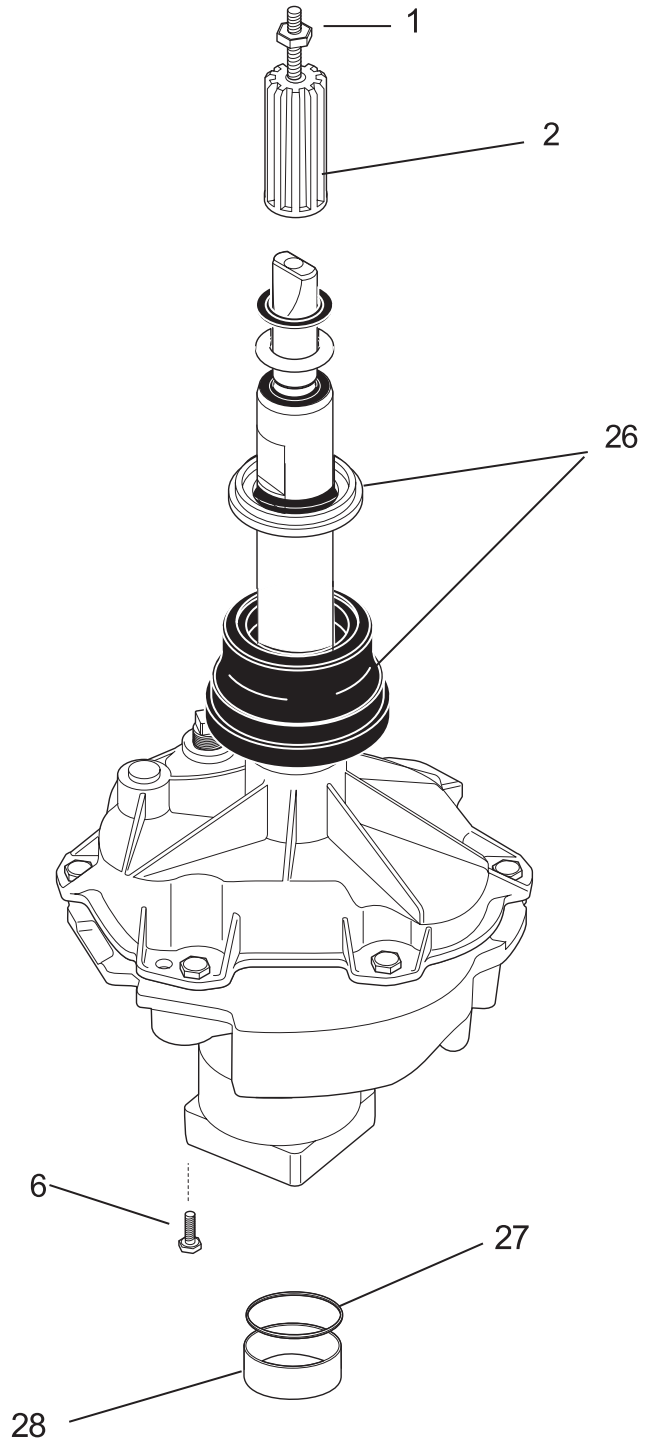
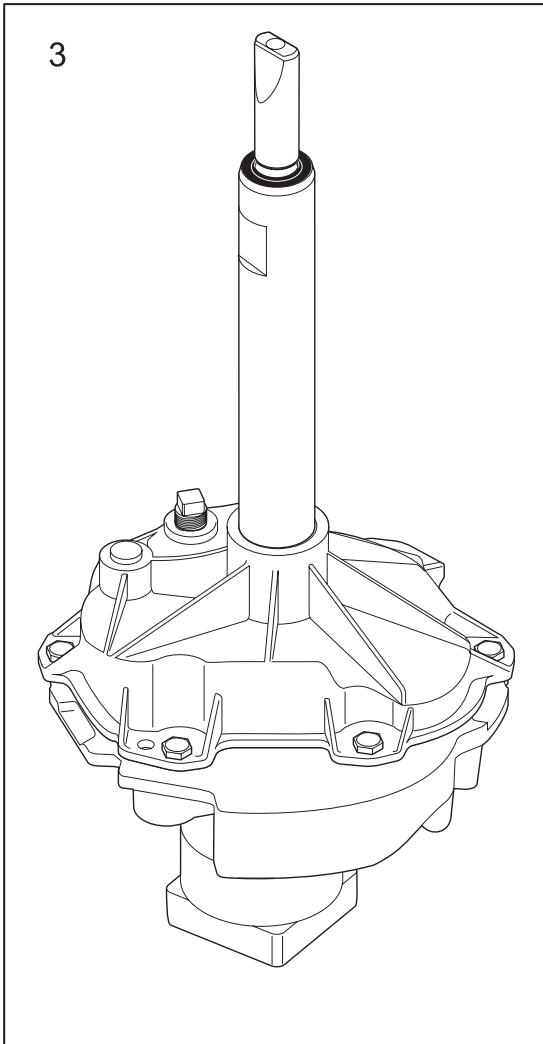
LOWER CABINET / TOP

POS. NO	PART NO	DESCRIPTION
1	131587500	Screw,hinge mtg ,6-32 x 0.3125, pph 45deg hdrpt
2	131168200	Screw,pan head ,8-18B x 0.31
3A	134075500	Bumper,lid ,front
4	3205250	Hinge Bar
5	5303208743	Grommet,hinge
6	5303212872	Lid,washer ,white
9	131390000	Lid Strike
11	3204368	Screw,lid strike mtg ,6-20B X 0.375
20	3204374	Pin,slide ,side to top
33 #	134211400	Valve,water ,115 V
34	131205500	Screw,cab body ,1/4-14 x 0.625, side-to-base
35	5308002385	Snubber Ring
36	3204380	Shipping Block
37	131658900	Screw,shipping,1/4-20x1.001,yellow, unit base,thrd frmng
38	5303311213	Base Assembly
41	131258400	Screw,10-16AB x 0.500
42	131104303	Panel,front ,white
43	131422100	Pad,leveling leg ,front
43A	131422200	Pad,self lvlg leg ,rear
44	5303309673	Screw,leveling leg ,with pad
45	131346400	Pin,panel locator ,side
45A	131346401	Pin,panel locator ,front
46	134046600	Cabinet Assy,white ,back and sides
47	131106701	Bracket,marriage ,RH
47A	131091001	Bracket,marriage ,LH
50 #	134101800	Lock,lid ,w/ext switch
53	131452510	Panel,washer top ,white
54	3204394	Dispenser,bleach
55	5303212876	Spring,lid assist
56	131243700	Screw,pan head ,8-18AB x 0.375, cr/sq drive

MOTOR / TUB

POS. NO	PART NO	DESCRIPTION
1	3204395	Cap,agitator ,standard,slim
2	3204396	Seal,agitator cap
3	131398303	Cover,splash tub ,with seal
3*	131901400	• Seal,splash cover
4 #	131212301	Capacitor,motor
6	131454100	Hose,water inlet ,hoses & washers
7	5303161296	Washer,inlet hose
9	5303304824	Clamp
10	131726300	Hose Assy,w/nozzle,clamp
11 #	5304405894	Agitator,standard ,slim
12	131090400	Tub,spin ,w/lint filter
13	5303283293	Screw,trunion ,5/16-18 x 0.625 ,(5)
14	131192800	Screw,lockplate ,5/16-18 x 1.625
15	5308001923	Plate,lock
16	131545101	Trunnion
18	131557201	Tub,splash ,w/air dome,brg
20	3205150	Screw,tub bearing ,8-12B x 0.750
21	5308002401	Washer,spin bearing ,upper
22	131373610	Leg & Dome Assy
23	5303208858	Spring,vertical ,short
23*	5303212877	Insert,spring adjuster ,vertical
23A	5303208860	Spring,vertical
24	131373900	Spring,horizontal
26 #	3204405	Bearing,outer tub
27	5303304825	Screw,set,hx hd cup,5/16-18x0.85, xmsn ply,hex hd cup pt
28 #	134161100	V-Belt,washer drive ,standard 4L
29 #	131498301	Pulley,xmsn drive
30 #	131862900	Idler Arm Assy,VAW ,with pulley
33	3204425	Spring,torsional
34	3204426	Sleeve,idler pivot
35	3161433	Ring,retaining
36	5303261031	Washer,pivot shaft
37	5303161306	Washer,spring type
38	5303318708	Nut,hex flange ,motor mounting
39	131205100	Screw,#8 pan head ,10-10B x 0.500, cr/sq drive
40 #	134156400	Motor,washer drive ,with pulley
41	131513300	Shield,motor assy ,w/speed nuts
43 #	134051200	Pump,drain
45	134049200	Hose,drain
45*	131506500	Clip,drain hose ,back sheet ,(2)
45*	131453000	Bushing,snap-in ,drain hose
45*	131462500	Clip,drain hose ,base
45*	131663500	Cushion,drain hose ,base
48	131306234	Clamp,pump to trap
49 #	131494800	Hose,pump to tub
51	131659000	Screw,leg,hex wshr hd ,5/16-18 x 0.875, type 23
53	5304401845	Tube,pressure ,vinyl
58	134160900	Screw,quadrex ,10-16AB X 0.750
60	131304300	Washer,0.21 x 0.71 ,0.06 thick
62	131258400	Screw,10-16AB x 0.500
68	131707800	Ring,drain hose
68*	5303309503	Clip,drain hose ,back sheet
69	131731500	Fastener,ratchet

TRANSMISSION



P17M0011

TRANSMISSION

POS. NO	PART NO	DESCRIPTION
1	131206800	Stud,agitator cap
2	5303306139	Hub,drive ,agitator
3 #	131878400	Transmission Assy,H-helical gear
6	134197900	Screw,hex washer head ,1/4-20 x 0.437
26 #	5303279394	Seal Assy,tub ,transmission
27	131784300	Washer,bearing block ,transmission
28	131784400	Spacer,bearing block ,transmission
*	134283500	Energy Guide

