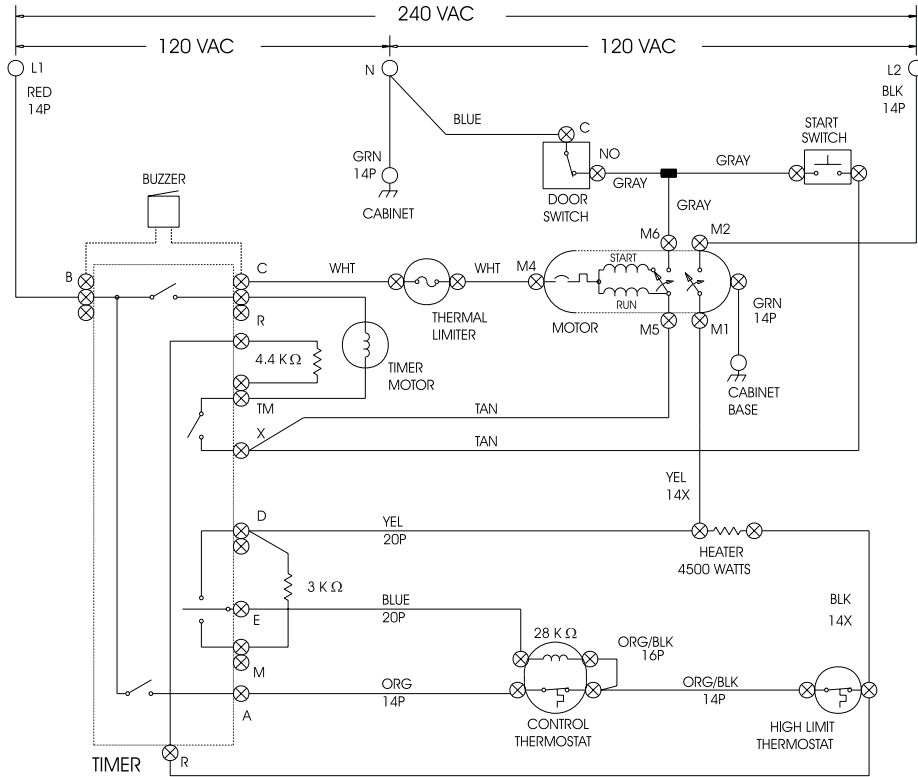
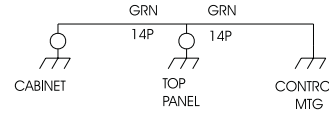


CAUTION: DISCONNECT ELECTRIC CURRENT BEFORE SERVICING



NOTE:
DASHED LINES INDICATE
CIRCUITS THAT ARE NOT
IN ALL MODELS.



WIRE SPECIFICATIONS

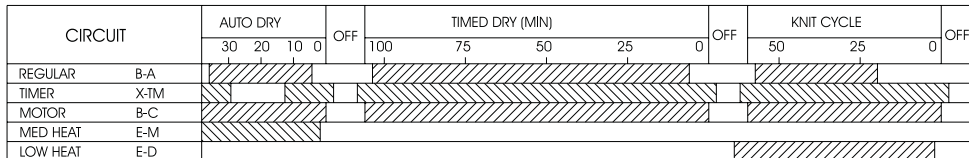
CODE	WIRE GAUGE A.W.G	INSULATION MATERIAL
20P	20	105°C PVC (POLYVINYLCHLORIDE)
18P	18	
16P	16	
14P	14	
14X	14	125°C X-LINK
NOTE: ALL UNSPECIFIED WIRE CODES ARE 18P		

WIRING CODES	
	PLUG-IN TIMER
	QUICK DISCONNECT TERMINAL
	CONNECTION
	NO CONNECTION
	MOTOR SWITCH
	SPLICE
	MOTOR PROTECTOR
	CHASSIS (CABINET) GROUND
	SCREW TERMINAL
	HARNES CONNECTOR TERMINAL
	INSULATED TERMINAL

NOTES:

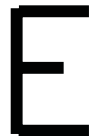
1. ALL WIRING MUST CONFORM TO LOCAL ELECTRICAL CODES.
2. CONNECT DRYER TO A 30 AMPERE INDIVIDUAL BRANCH CIRCUIT.
3. TIMER SHOWN IN OFF POSITION, DOOR SWITCH CLOSED, MOTOR AT REST, & THERMOSTAT CLOSED.

CYCLES



BAR CHART TO THE LEFT REPRESENTS ONE COMPLETE REVOLUTION OF TIMER SHAFT.

SHADED PORTION OF BAR CHART INDICATES THE PROPORTIONAL TIMES THAT INTERNAL TIMER CONTACTS ARE CLOSED.



WIRING DIAGRAM
P/N 131850300