

FRIGIDAIRE

GALLERY



Freezers

GLFH17F8H W/B

Frost Free
17 Cu. Ft. Upright



Signature Features

Express-Select™ Controls with Upfront Display

Easily select options with the touch of a button.

Automatic Alerts

Freezer alerts you if the door is left open or if the temperature rises.

SpaceWise™ Organization System

Our total organization system includes adjustable and fixed glass shelves, mid and lower level baskets with dividers, a retractable pizza shelf and adjustable door storage.

Store-More™ Tilt-Out Wire Door Bins

Store more in the door while the tilt-out feature provides easy access.

Product Dimensions

Height (Including Hinges)	65-3/4"
Width	32"
Depth (Including Door)	29-1/8"

More Easy-To-Use Features

Store-More™ Adjustable Door Bins

Flexible storage options with door bins designed to reposition with ease to fit your needs.

Soft Freeze Zone

A bin that remains slightly warmer than the freezer interior for convenient storage for soft freeze items such as ice cream.

SpaceWise™ Adjustable Shelf

Lock with Pop-Out Key

Quick Freeze

Quickly freeze whatever you store to keep foods at their freshest.

Bright Lighting

Our bright lighting makes it easy to see what's inside

Power-On Indicator Light

Know at a glance that your freezer is working.

Color-Coordinated Handle

SpaceWise™ Shelf Bookends

Clever and flexible bookends are designed hold more frozen food containers upright.

Energy Saver Plus Technology

ENERGY STAR®



Available in:



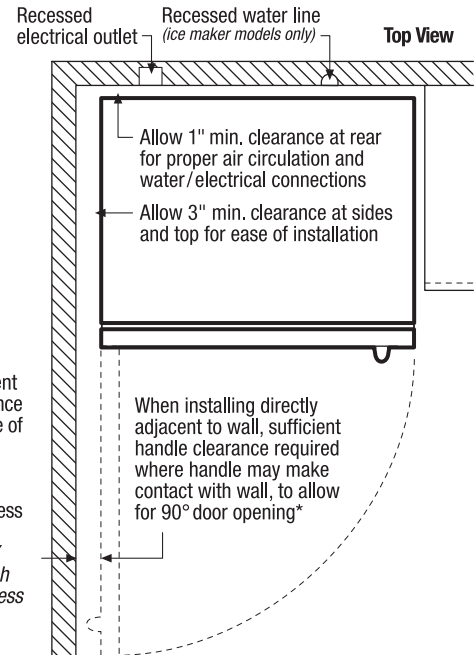
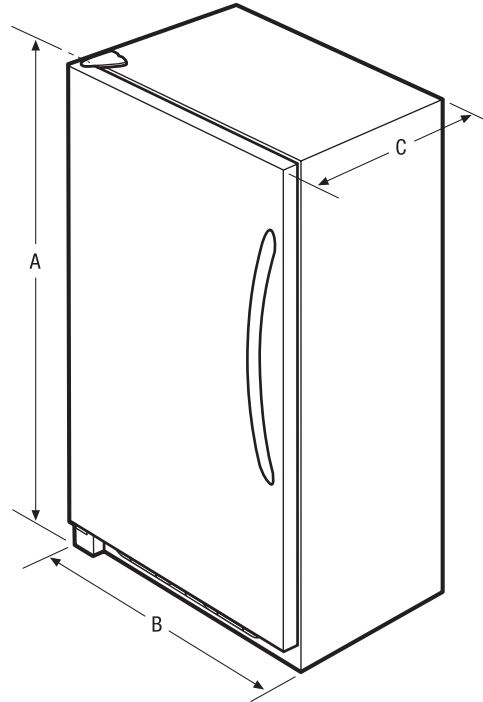
White
(W)



Black
(B)

Features	
Door Handle Design	Reach-Through
Reversible Door	
Automatic Door Closer	
Leveling Legs	Yes
Lock with Pop-Out Key	Yes
Defrost	Frost Free
Adjustable Temperature Control	Express-Select™
Front Digital Display	Yes
Temp Display Mode	F/C
High-Temp Duration Readout	Yes
High-Temp Alarm	Yes
Door Ajar Alarm	Yes
Airflow Ports	3
Enhanced Interior Lighting	Bright
Interior Light	Yes
Full-Width Adjustable Shelves	1 Glass
Full-Width Fixed Shelves	2 Glass
Removable Trivet	
SpaceWise™ Shelf Bookend	2
Mid-Level Baskets	1
Lower Storage Basket	1
Basket Dividers	2
Retractable Pizza Shelf	Yes
Soft Freeze Zone	Yes
Store-More™ Adjustable Door Bins	4
Full-Width Door Bins	1
Store-More™ Tilt-Out Wire Door Bins	1
Fixed Door Locks	
Defrost Drain	
Power-On Light	Yes
Convertible	
Certifications	
ENERGY STAR®	Yes
CSA Rating	Household
Specifications	
Total Capacity (Cu. Ft.)	16.6
Shelf Area (Sq. Ft.)	16.93
Annual Energy (kWh)	615
Annual Energy Cost (.1065/kWh)	\$65
Power Supply Connection Location	Lower Right Rear
Voltage Rating	115V
Connected Load (kW rating) @ 115 Volts¹	.58
Amps @ 115 Volts	5
Minimum Circuit Required (Amps)	15
Shipping Weight (Approx.)	208 Lbs.

¹An electrical supply with grounded three-prong receptacle is required. The power supply circuit must be installed in accordance with current edition of National Electrical Code (NFPA 70) and local codes & ordinances.



* When installing freezer adjacent to wall, cabinet or other appliance that extends beyond front edge of unit, 20" minimum clearance recommended to allow for optimum 140° door swing, providing complete basket access and removal. (Absolute 3" minimum clearance will ONLY allow for 90° door swing which will provide limited basket access with restricted removal.)

NOTE: For planning purposes only. Always consult local and national electric codes. Refer to Product Installation Guide for detailed installation instructions on the web at frigidaire.com.



Product Dimensions	
A - Height (Including Hinges)	65-3/4"
B - Width	32"
C - Depth (Including Door)	29-1/8"
D - Depth with Door Open 90°	57-3/8"

Accessories information available on the web at frigidaire.com

FRIGIDAIRE

USA • 10200 David Taylor Drive • Charlotte, NC 28262 • 1-800-FRIGIDAIRE • frigidaire.com
CANADA • 5855 Terry Fox Way • Mississauga, ON L5V 3E4 • 1-800-265-8352 • frigidaire.ca

GLFH17F8H 08/10

© 2010 Electrolux Home Products, Inc.

Specifications subject to change.
Printed in the U.S.A.