



Freezer

FFU17F5H W

Frost Free
17 Cu. Ft. Upright



Product Dimensions

Height (Including Hinges)	65-3/4"
Width	32"
Depth (Including Door)	29-1/8"

More Easy-To-Use Features

Power-On Indicator Light

Know at a glance that your freezer is working.

Bright Lighting

Our bright lighting makes it easy to see what's inside.

SpaceWise™ Shelf Bookends

Clever and flexible bookends are designed to hold more frozen food containers upright.

Defrost Water Drain

Use the drain to conveniently remove water during defrosting.

Color-Coordinated Handle

5 Fixed Door Racks

2 Full-Width Fixed Wire Shelves

1 Full-Width Slide-Out Storage Basket

Available in:



White
(W)

Signature Features

Ready-Select™ Controls with Upfront Display

Easily select options with the touch of a button.

Automatic Alerts

Freezer alerts you if the door is left open or if the temperature rises.

Frost Free Operation

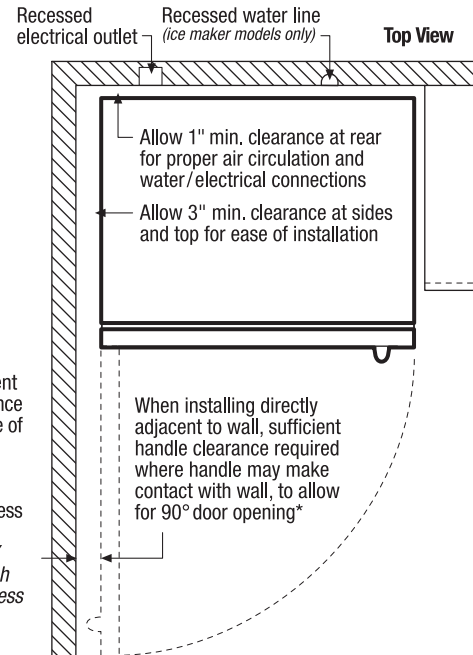
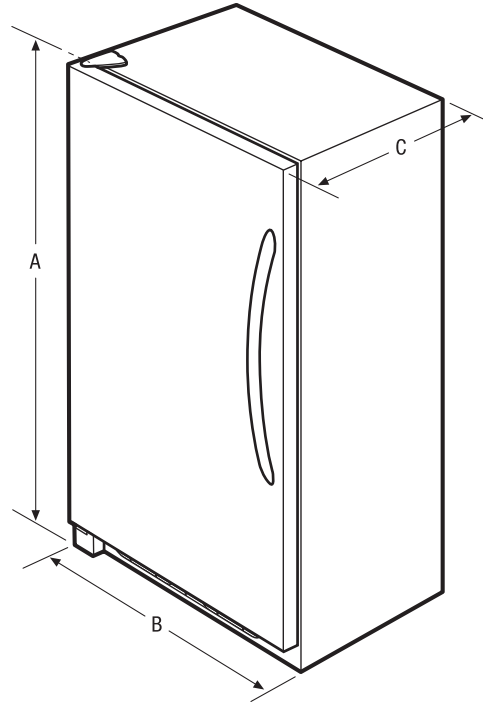
Never defrost your freezer again.

Lock with Pop-Out Key

The freezer key automatically ejects after locking the door so you won't leave it in the door.

Features	
Door Handle Design	Reach-Through
Reversible Door	
Automatic Door Closer	Yes
Leveling Legs	Yes
Lock with Pop-Out Key	Yes
Defrost	Frost Free
Adjustable Temperature Control	Ready-Select™
Front Digital Display	Yes
Temp Display Mode	1-7
High-Temp Duration Readout	
High-Temp Alarm	Yes
Door Ajar Alarm	Yes
Airflow Ports	1
Enhanced Interior Lighting	Bright
Interior Light	Yes
Full-Width Adjustable Shelves	2 Wire
Full-Width Fixed Shelves	2 Wire
Removable Trivet	
SpaceWise™ Shelf Bookend	2
Mid-Level Baskets	
Lower Storage Basket	1
Basket Dividers	
Retractable Pizza Shelf	
Soft Freeze Zone	
Store-More™ Adjustable Door Bins	
Full-Width Door Bins	
Store-More™ Tilt-Out Wire Door Bins	
Fixed Door Racks	5
Defrost Drain	
Power-On Light	Yes
Convertible	
Certifications	
CSA Rating	Household
Specifications	
Total Capacity (Cu. Ft.)	16.7
Shelf Area (Sq. Ft.)	17.76
Annual Energy (kWH)	682
Annual Energy Cost (.1065/kWH)	\$73
Power Supply Connection Location	Lower Right Rear
Voltage Rating	115V
Connected Load (kW rating) @ 115 Volts¹	.58
Amps @ 115 Volts	5
Minimum Circuit Required (Amps)	15
Shipping Weight (Approx.)	208 Lbs.

¹An electrical supply with grounded three-prong receptacle is required. The power supply circuit must be installed in accordance with current edition of National Electrical Code (NFPA 70) and local codes & ordinances.



* When installing freezer adjacent to wall, cabinet or other appliance that extends beyond front edge of unit, 20" minimum clearance recommended to allow for optimum 140° door swing, providing complete basket access and removal. (Absolute 3" minimum clearance will ONLY allow for 90° door swing which will provide limited basket access with restricted removal.)

NOTE: For planning purposes only. Always consult local and national electric and plumbing codes. Refer to Product Installation Guide for detailed installation instructions on the web at frigidaire.com.



Product Dimensions	
A - Height (Including Hinges)	65-3/4"
B - Width	32"
C - Depth (Including Door)	29-1/8"
D - Depth with Door Open 90°	57-3/8"

Accessories information available on the web at frigidaire.com