



Under-Cabinet Hoods

F30WR01E C/S/B

30" Wall Mount



Signature Features

Recirculating Exhaust

Effectively and quietly removes smoke, vapors and smells from the kitchen.

2-Speed Fan

The rocker switch control has three positions - "High," "Low" and "Off"

Charcoal Filter

Replaceable charcoal filter lasts up to twelve months with normal use.

Features

Nominal Width	30"
Installation Type	Wall Mount
Style	Under-Cabinet
Controls	Rocker Switch
Air Discharge	Recirculating
Blower Type	Fan
Fan Speeds	2
Cooktop Light(s)	1
Exhaust Duct	Recirculating

Specifications

Product Dimensions -	
Height	6"
Width	30"
Depth	17-1/2"
Voltage Rating	120V / 60Hz / 15A
Connected Load (kW Rating) @ 120 Volts ³	
Amps @ 120 Volts	2.0
Shipping Weight (Approx.)	14 Lbs.
Sones Rating	Not Rated

¹For use on adequately wired 120V, dedicated circuit having 2-wire service with a separate ground wire. Appliance must be grounded for safe operation.

NOTE: Always consult local and national electric codes. Check local building codes for installation requirements, as they may vary per locale. Refer to Product Installation Guide for detailed installation instructions on the web at frigidaire.com.

Specifications subject to change.

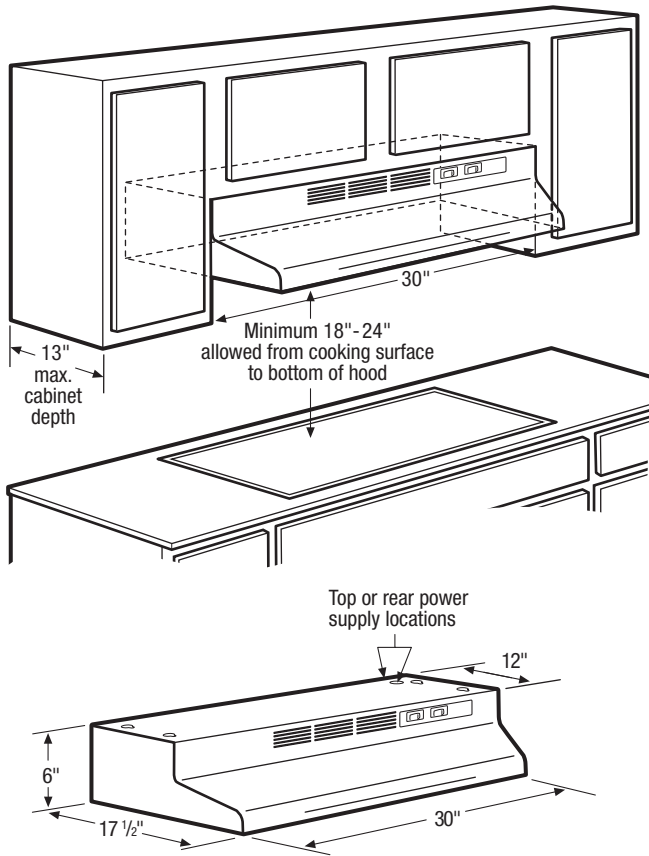
Available in:



Stainless
(C)

White
(S)

Black
(B)

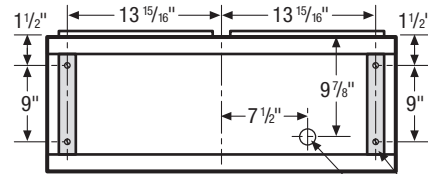


Exhaust

Vent hood exhaust is recirculated inside with no ducting required. For detailed preparation and installation specifications, refer to installation instructions on web.

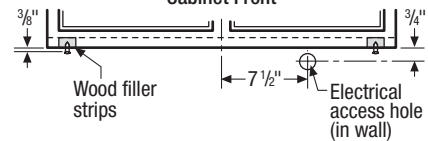
Installation

Cabinet Bottom



Electrical access hole (in cabinet bottom)
Wood filler strips (recessed cabinet bottoms only)

Cabinet Front



Wood filler strips
Electrical access hole (in wall)

Under-Cabinet Hood Specifications

- Product Shipping Weight (Approx.) - 14 Lbs.
- Wall-Mount Installation
- Ventilation system recirculates air inside with no ducting system required.
- Sones Rating - Not Rated
- Voltage Rating - 120V / 60 Hz / 15 Amps
- Connected Load (kW Rating) @ 120 Volts = (For use on adequately wired 120V, dedicated circuit having 2-wire service with a separate ground wire. Appliance must be grounded for safe operation.)
- Amps @ 120 Volts = 2.0 Amps
- Always consult local and national electric codes. Check local building codes for installation requirements, as they may vary per locale.

- Connect vent hood with copper wire only.
- Minimum installation height allowed from bottom of hood to cooking surface is 18" - 24".
- Installation on recessed-bottom cabinets requires attachment of two wood filler strips at each side of recessed area under cabinet.

Note: For planning purposes only. Refer to Product Installation Guide on the web at frigidaire.com for detailed instructions.

Use these dimensions and clearance instructions for planning purposes only. For detailed installation instructions, refer to installation guide, packed with product, or on the web at frigidaire.com.



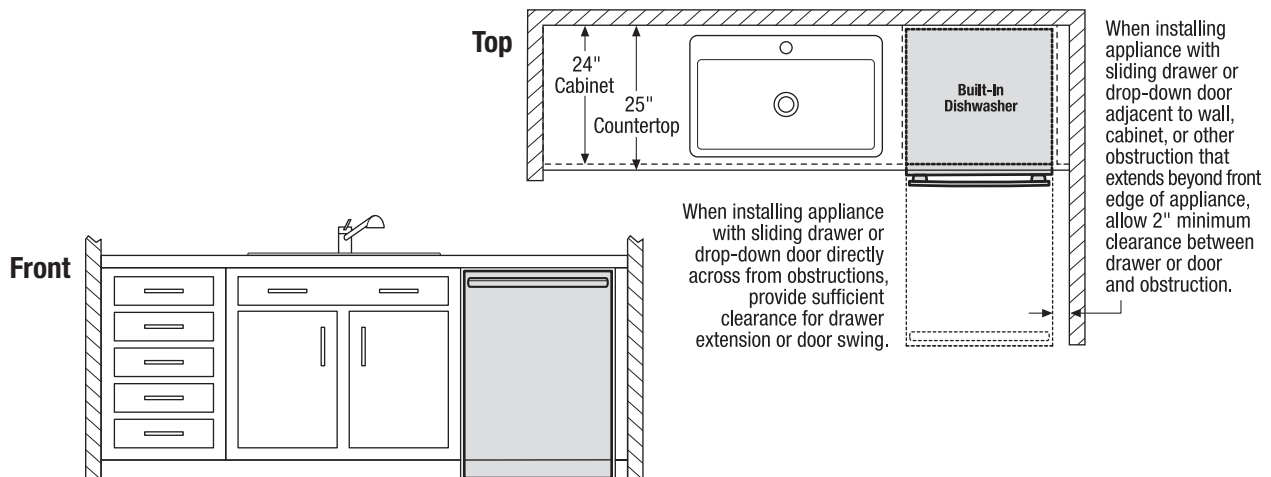
When installing appliances adjacent to each other, 20" minimum distance between each appliance required.

When installing built-in cooking appliances in combination, 2" minimum visible gap between appliance faceplates required.



When installing side-by-side refrigerator adjacent to wall, cabinet or another appliance that extends beyond front edge of unit, 20" minimum clearance recommended to allow for optimum 120° to 180° door swing, providing complete drawer/crisper access and removal.

When installing appliance with sliding drawer, swinging or drop-down door directly across from obstructions, provide sufficient clearance for drawer extension or door swings.



When installing appliance with sliding drawer or drop-down door directly across from obstructions, provide sufficient clearance for drawer extension or door swing.

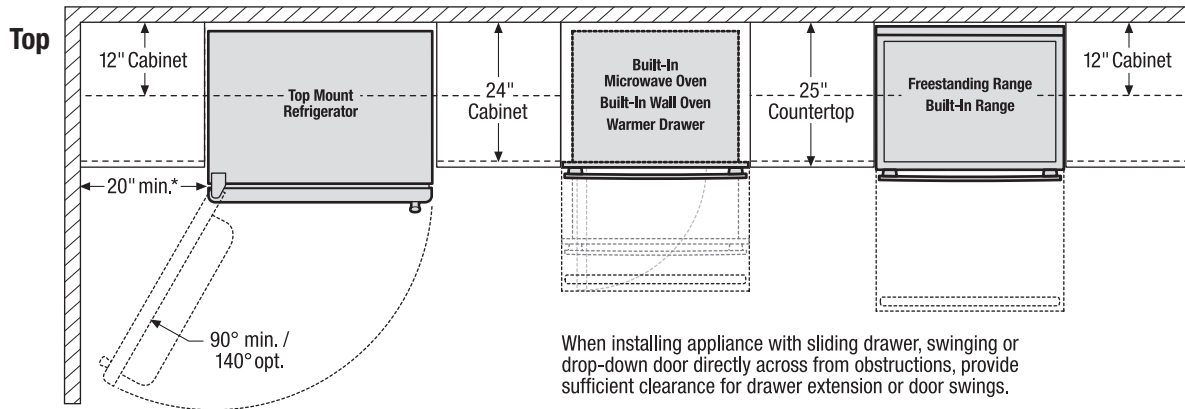
When installing appliance with sliding drawer or drop-down door adjacent to wall, cabinet, or other obstruction that extends beyond front edge of appliance, allow 2" minimum clearance between drawer or door and obstruction.

Use these dimensions and clearance instructions for planning purposes only. For detailed installation instructions, refer to installation guide, packed with product, or on the web at frigidaire.com.



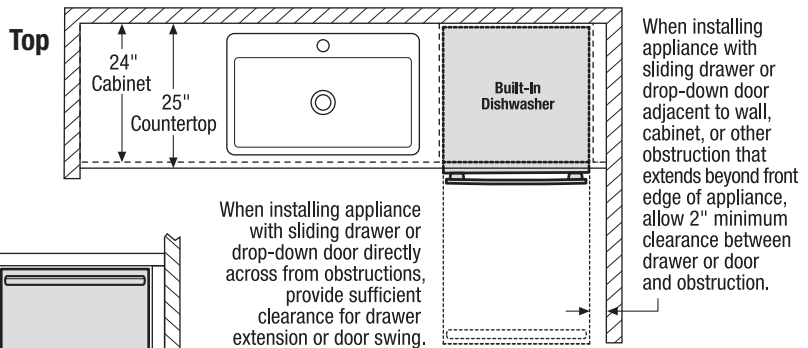
When installing appliances adjacent to each other, 20" minimum distance between each appliance required.

When installing built-in cooking appliances in combination, 2" minimum visible gap between appliance faceplates required.



When installing appliance with sliding drawer, swinging or drop-down door directly across from obstructions, provide sufficient clearance for drawer extension or door swings.

*When installing refrigerator adjacent to wall, cabinet or other appliance that extends beyond front edge of unit, 20" minimum clearance recommended to allow for optimum 140° door swing, providing complete crisper access and removal. (Absolute 3" minimum clearance will ONLY allow for 90° door swing which will provide limited crisper access with restricted removal.)



When installing appliance with sliding drawer or drop-down door directly across from obstructions, provide sufficient clearance for drawer extension or door swing.

