

Frigidaire

Factory Parts Catalog

Product No.	F36WC19EB	F36WC19EC	F36WC19EQ	F36WC19ES
Market	North America	North America	North America	North America
Color	black	stainless steel	bisque	white
Exhaust-CFM	160 CFM	160 CFM	160 CFM	160 CFM
Volts	120	120	120	120
Owner's Guide	99043806	99043806	99043806	99043806
Installation Instructions	99043806	99043806	99043806	99043806
Wiring Diagram	5995459103	5995459103	5995459103	5995459103



Electrolux Major Appliances
 North & Latin America
 P.O. BOX 212378
 AUGUSTA, GA 30917

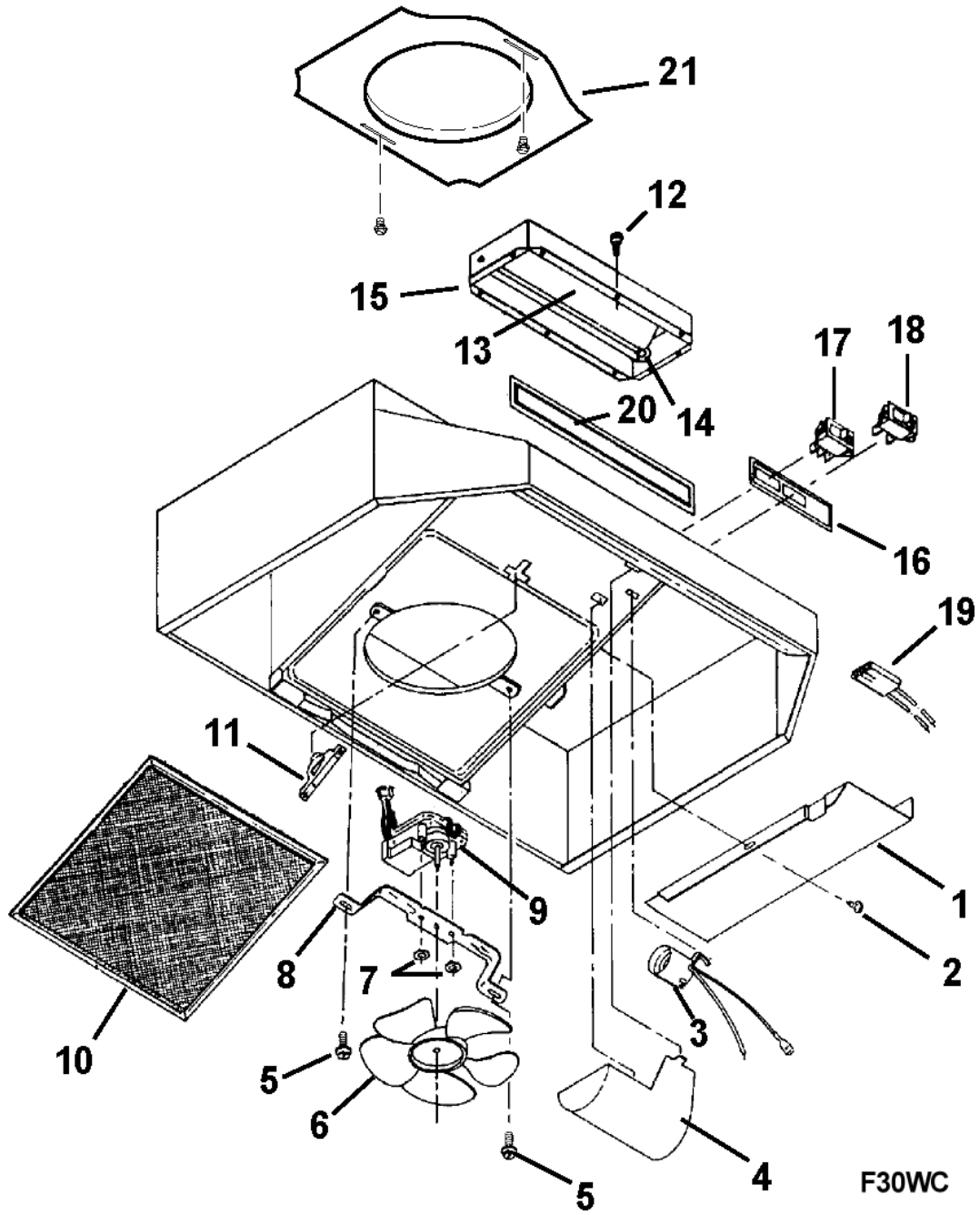
Publication No.
5995459103
 06/02/03
 (EN/SERVICE/KC)
 099

RANGE HOOD

Model No.
F36WC19E

Copyright © 2006 Electrolux Home Products, Inc.
 All rights reserved.

REPLACEMENT PARTS



REPLACEMENT PARTS

Model Index: A F36WC19E (F36WC19EB)
 B F36WC19E (F36WC19EC)
 C F36WC19E (F36WC19EQ)
 D F36WC19E (F36WC19ES)

POS. NO	PART NO.		DESCRIPTION
1	5304452355	A B C D	Cover, outlet box
2	5303281950	A B C D	Screw, sheet metal, 8-18 x 0.375
3 #	5304452356	A B C D	Receptacle, Lamp holder, w/wires
4	3051767	A B C D	Lens, lamp, glass
5	5304452357	A B C D	Fastener Kit, 2-screw & 2-nut
6 #	5304452390	A B C D	Fan Blade
7	5304452359	A B C D	Nut, locking, 6-32, (2)
8	3051766	A B C D	Bracket, motor mount
9 #	5304452360	A B C D	Motor Assy, fan, includes 6, 7, 8
10 #	5304452031	A B C D	Filter, aluminum
10 #	5304454054	A B C D	Filter, duct-free, charcoal, 6-pk(Optional Accessory)
11	5304413743	A B C D	Clip, filter retainer
12	5303282121	A B C D	Screw, 8-18B x 0.250, (2)
13	5303281952	A B C D	Flap, damper door
14	5303281953	A B C D	Bushing, damper
15 #	5304452361	A B C D	Damper Assy, incl. 13, 14, 21
16	5304452370	A B - -	Nameplate, black
16	5304452681	- - C -	Nameplate, bisque
16	5304452371	- - - D	Nameplate, white
17 #	5304452392	A B - -	Switch, motor, black, 2 speed
17 #	5304452394	- - C -	Switch, motor, bisque, 2 speed
17 #	5304452393	- - - D	Switch, motor, white, 2 speed
18 #	5304452395	A B - -	Switch, lamp, black
18 #	5304452397	- - C -	Switch, lamp, bisque
18 #	5304452396	- - - D	Switch, lamp, white
19 #	5304452366	A B C D	Receptacle, motor, with wires
20	5304452398	A B - -	Cover, louver, black
20	5304452400	- - C -	Cover, louver, bisque
20	5304452399	- - - D	Cover, louver, white
21	5304452401	A B C D	Plate, round duct, 7 inch dia.

WIRING DIAGRAM

