

# FRIGIDAIRE GALLERY

GCRG3060AD

GCRG3060AF

Available Colors : Black Stainless Steel, Stainless Steel

Version : 04/20

Gas Ranges

30" Rear Control Gas Range with Air Fry



## Product Specifications

### Electrical Specifications

Minimum Circuit Required (Amps)	5A
Voltage Rating	120V 60Hz

### Certifications & Approvals

Agency Approval	CSA Certified
-----------------	---------------

### Exterior

Cooktop Finish	Color-Coordinated Porcelain
Drawer Finish	Color-Coordinated
Exterior Finish	Color-Coordinated
Handle Color	Color-Coordinated

### Accessories

Griddle	Included
---------	----------

### Dimensions: Exterior

Depth (with Door 90° Open)	46-5/8"
Depth Including Handle	29-1/4"
Height	48 1/2"
Width	30"

### Drawer

Drawer Functionality	Storage
----------------------	---------

### General Specifications

Adjustable Leveling Legs	4 Adjustable
Product Weight (lbs)	200
Prop 65 Label	Yes

### Oven

Bake	18000 BTU
Baking System	Even Baking Technology
Broil	13500 BTU
Broil System	Variable (400°F to 550°F)
Oven 1 Convection System	900 Watts True Convection
Interior Lighting	1 Incandescent
Oven 1 Interior Color	Slate Blue
Oven 1 Interior Depth	19-1/8"
Oven 1 Interior Height	18-5/8"
Oven 1 Interior Width	24-3/8"
Oven 1 Rack Configuration	3 Heavy Duty Handle Racks
Oven 1 Rack Positions	6 Positions
Oven 1 Window	Extra-Large Visualite®

### Cooking Controls

Air Fry	Yes
Bake	Yes
Broil	Yes
Cancel	Yes
Convection Bake	Yes
Convection Conversion	Yes
Convection Roast	Yes
Delay Clean	Yes
Door Lock	Yes
Keep Warm	Yes
Probe	Yes
Self-Clean	Yes
Steam Clean	Yes
Timer	Yes

### Cooktop

Center	Oval 10000 BTU
Cooking Surface	Color-Coordinated Porcelain
Electronic Ignition	Yes
Grate Color	Black Matte
Grate Material	Cast Iron
Grates	3 Continuous Grates
Knob Color	Color-Coordinated
Left Front	9500 BTU
Left Rear	14000 BTU
Right Front	18000 BTU
Right Rear	5000 BTU

### Capacities

Total Capacity	5.0 Cu. Ft.
----------------	-------------

Note: For planning purposes only. Always consult local and national electric, gas and plumbing codes. Refer to Product Installation Guide for detailed installation instructions on the web at [frigidaire.com/frigidaire.ca](http://frigidaire.com/frigidaire.ca). Specifications subject to change. Accessories information available on the web at [frigidaire.com/frigidaire.ca](http://frigidaire.com/frigidaire.ca).

# FRIGIDAIRE GALLERY

GCRG3060AD

GCRG3060AF

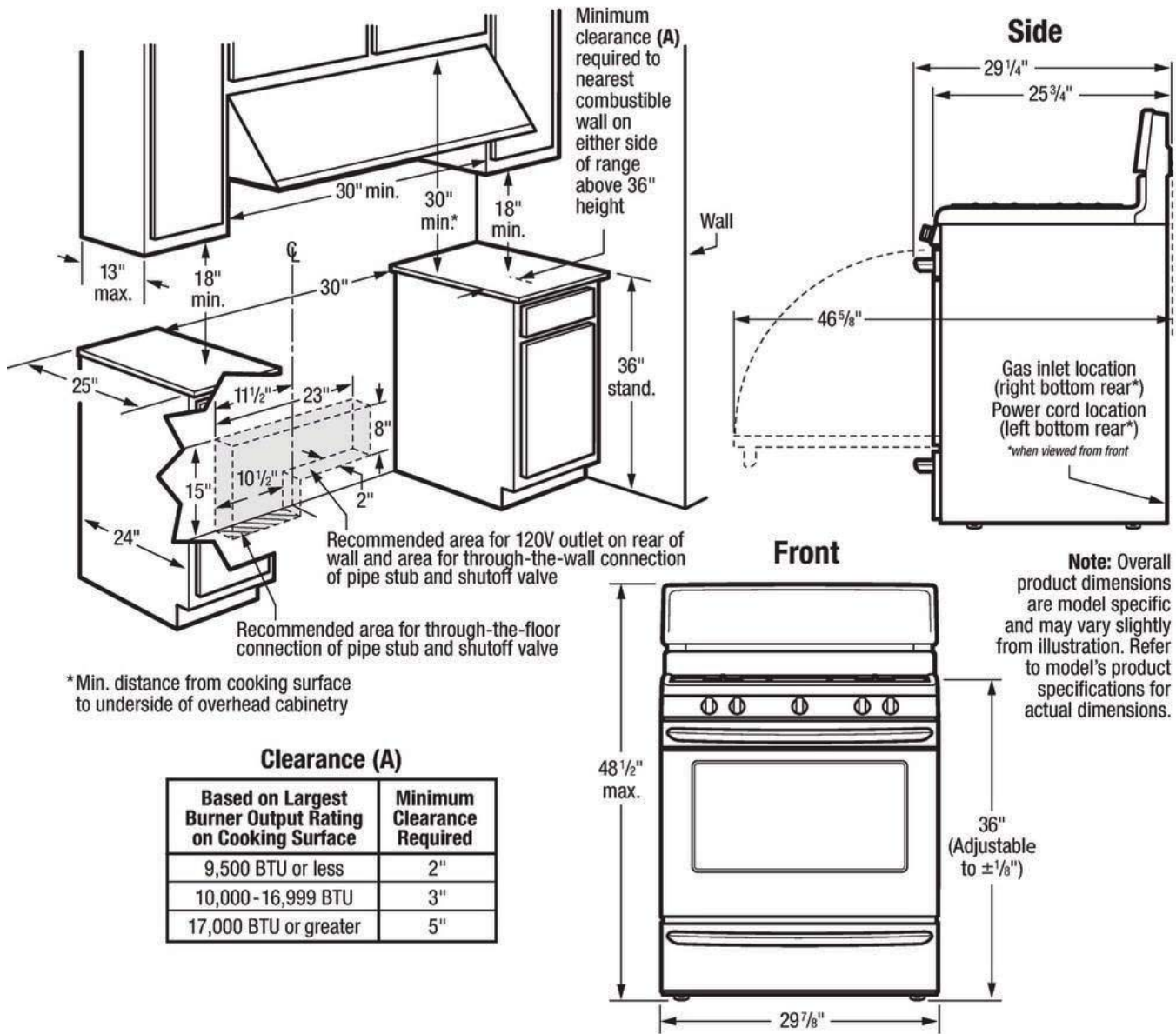
Available Colors : Black Stainless Steel, Stainless Steel

Version : 04/20

Gas Ranges

30" Rear Control Gas Range with Air Fry

## Installation Drawing



### Clearance (A)

Based on Largest Burner Output Rating on Cooking Surface	Minimum Clearance Required
9,500 BTU or less	2"
10,000 - 16,999 BTU	3"
17,000 BTU or greater	5"

Note: For planning purposes only. Always consult local and national electric, gas and plumbing codes. Refer to Product Installation Guide for detailed installation instructions on the web at [frigidaire.com/frigidaire.ca](http://frigidaire.com/frigidaire.ca). Specifications subject to change. Accessories information available on the web at [frigidaire.com/frigidaire.ca](http://frigidaire.com/frigidaire.ca)