



# Freestanding Range

FPGH3077RF

30" Gas



## Product Dimensions

Height (Min./Max.)	36-1/8" / 36-5/8"
Width	29-7/8"
Depth (Including Handle)	28-3/4"

## More Easy-To-Use Features

**Smudge-Proof™**  
Resists fingerprints and cleans easily.

**Professional-Grade Design, Without the Remodel**  
Upgrade your kitchen and get the look of a built-in range, without the remodel. The range slides into 30" cutouts.<sup>1</sup>

**PowerPlus® Burner**  
Quickly boil, saute, and sear foods at high heat with the PowerPlus® 18,000 BTU burner.

**PrecisionPro Controls™**  
Prepare a range of dishes with precision, whether you're simmering, sautéing, searing or boiling.

**Convection Conversion**  
Automatically converts the convection oven to the ideal cooking time for evenly cooked dishes.

Sabbath Mode (Star-K® Certified)

Available in:



Stainless (F)

Burners	BTU
Right Front	18,000
Right Rear	5,000
Left Front	7,500
Left Rear	12,000
Center Griddle	3,000-12,000
Center Simmer	1,125-3,500

<sup>1</sup>Fits the cutout of a 30" freestanding range.

## Signature Features



**PowerPlus® 2-in-1 Burner & Griddle**  
Ultimate cooking flexibility for endless meal options. Use the simmer burner for delicate foods like sauces or the griddle burner for pancakes or flatbread.



**PowerPlus® Convection**  
Powerful performance delivers consistent results. Evenly cooked dishes, every time, with PowerPlus® Convection Bake and Roast.



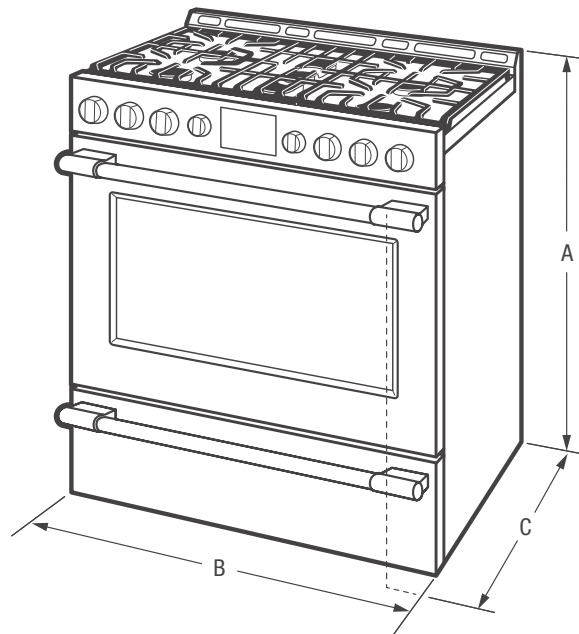
**PowerPlus® Temperature Probe**  
Ensures great results the first time. Set and monitor dish temperature with the PowerPlus® Temperature Probe.



**PowerPlus® Preheat**  
With PowerPlus® Preheat, your oven is ready in a few minutes for a powerful start to every delicious meal.

<b>Features</b>	
Oven Control/Timing System	PrecisionPro Controls™
Surface Type	Deep Sump Stainless Steel
Sealed Gas Burners	Yes
Grates	Continuous Cast Iron w/Black Matte Finish
Window	Extra-Large with Black-Tint Finish
Exterior Door Finish	Smudge-Proof™ Stainless Steel
Handle Design	Stainless Steel
Exterior Finish (Side Panels)	Black
Convection System	PowerPlus® Single-Fan Convection
Oven Cleaning System	Self Clean
Drawer Functionality	Storage
<b>Oven Controls</b>	
Bake/Broil	Yes/Yes
Effortless™ Convection Conversion	Yes
Convection Bake/Broil/Roast	Yes/No/Yes
PowerPlus® Convection	Yes
PowerPlus® Preheat	Yes
PowerPlus® Temperature Probe	Yes
Keep Warm	Yes
Self Clean	2, 3, 4 Hours
Rapid Clean Option	2 Hours
Kitchen Timer/ Timed Cook Option	Yes (2)/No
Auto Oven Shut-Off	Yes
<b>Cooktop Features</b>	
Right Front Burner (BTU)	18,000
Right Rear Burner (BTU)	5,000
Left Front Burner (BTU)	7,500
Left Rear Burner (BTU)	12,000
Center Griddle Burner (BTU)	3,000 - 12,000
Center Simmer Burner (BTU)	1,125 - 3,500 B
<b>Oven Features</b>	
Capacity (Cu. Ft.)	5.1
Oven Light	2
Rack Configuration	1 PowerGlide™, 1 Handle, 1 Offset
Baking System	Even Baking Technology
Bake Burner/Broil Burner (BTU)	18,000/11,500
<b>Optional Accessories</b>	
Griddle/Grill (2-sided)	Included
<b>Certifications</b>	
A.D.A. Compliant¹	Yes
Sabbath Mode (Star-K® Cert.)	Yes
<b>Specifications</b>	
Oven Interior (H x W x D)	18-5/8" x 24-1/8" x 19-1/2"
Power Supply Connection Location	Left Bottom Rear
Gas Supply Connection Location	Right Bottom Rear
LP Gas Conversion Kit	Included
Voltage Rating	120V/60Hz/15A
Amps @ 120 Volts	15
Shipping Weight (Approx.)	230 lbs.

¹When properly installed, this model is A.D.A.-qualified based on the United States Access Board's A.D.A./A.B.A. Accessibility Guidelines and the Department of Justice's 2010 A.D.A. Standards for Accessible Design.



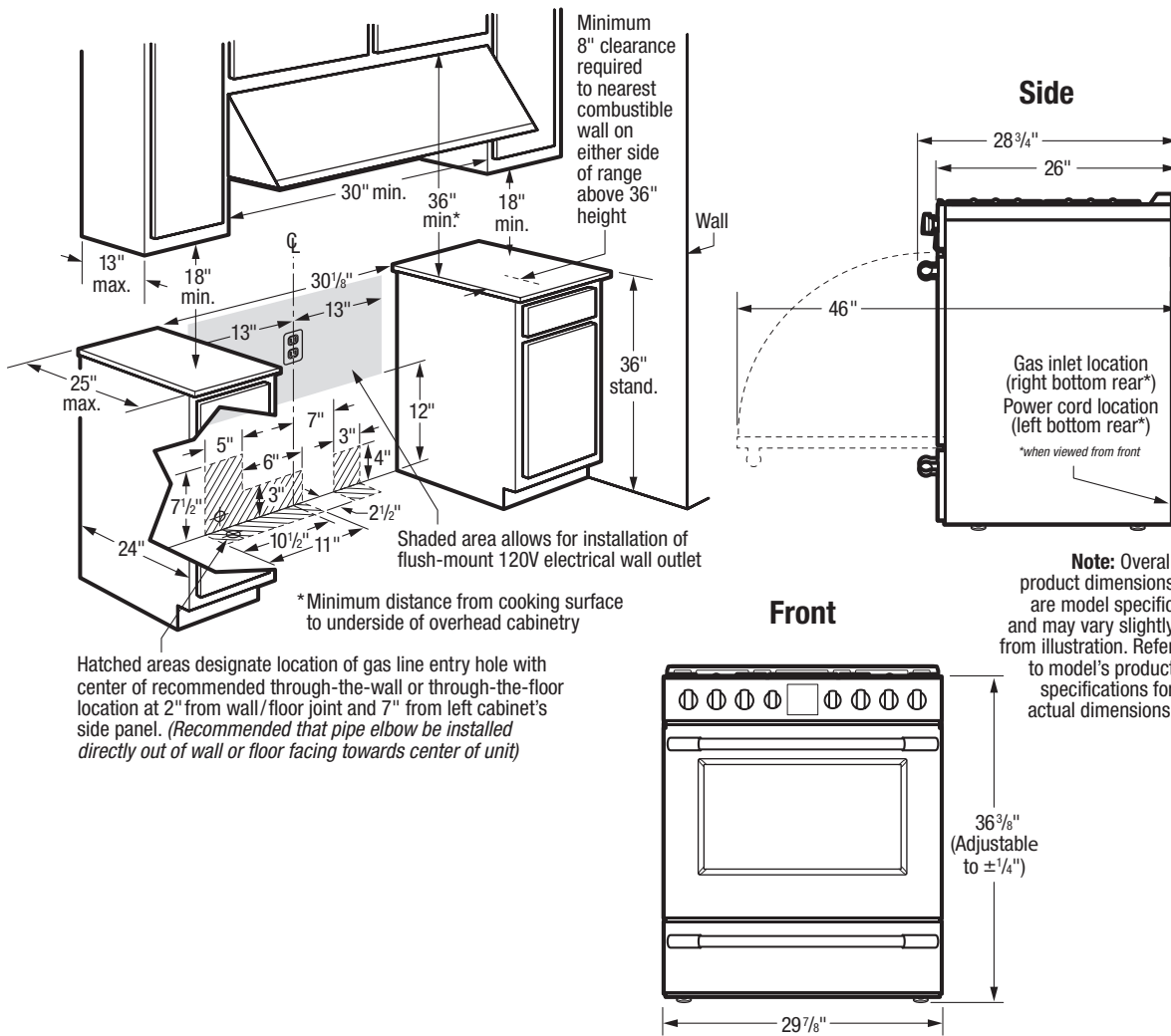
NOTE: For planning purposes only. Always consult local and national electric and gas codes. Refer to Product Installation Guide for detailed installation instructions on the web at [frigidaire.com](http://frigidaire.com).



Product Dimensions	
A - Height (Min./Max.)	36-1/8" / 36-5/8"
B - Width	29-7/8"
C - Depth (Including Handle)	28-3/4"
Depth with Door Open 90°	46"

Cabinet Cutout Dimensions	
Height (Standard)	36"
Width (Min.)	30-1/8"
Depth (Min.)	24"

Accessories information available on the web at [frigidaire.com](http://frigidaire.com)



**Note:** Overall product dimensions are model specific and may vary slightly from illustration. Refer to model's product specifications for actual dimensions.

**Freestanding Range Specifications**

- Product Shipping Weight (approx.) - 230 Lbs.
- Voltage Rating - 120V/60 Hz/15 Amps
- Amps @ 120 Volts = 15 Amps
- Always consult local and national electric and gas codes.
- Make sure wall coverings around range can withstand heat generated by range.
- Linoleum or any other synthetic floor covering located beneath range, must be capable of withstanding minimum heat of 90°F above room temperature without shrinking, warping or discoloring. Insulating pad or 1/4"-thick plywood required between range and a carpeted floor.
- Do not obstruct flow of combustion air at oven vent nor around base or beneath lower front panel of range. Range requires fresh air for proper burner combustion.
- Do not install range beneath any downward-blowing, overhead vent hood or air curtain.
- Range ships with 3/4" factory regulator.
- Range is LP Gas convertible. (Optional LP Gas Conversion Kit included.)

- Floor beneath range MUST be solid and level.
- Overhead cabinetry should not exceed a 13" maximum depth.
- Absolute minimum horizontal distance between overhead cabinets installed to either side of appliance must be no less than maximum width of appliance.
- Range can be installed flush to wall with 0" minimum rear clearance.
- Minimum 8" clearance required from edge of rangetop to nearest combustible wall on either side of range above 36" height.
- To reduce risk of fire when using overhead cabinetry, install range hood that projects horizontally a recommended minimum of 5" beyond bottom of cabinets.
- Follow all dimension requirements provided to prevent property damage, potential fire hazard, and incorrect countertop and cabinet cuts.

**Note:** For planning purposes only. Refer to Product Installation Guide on the web at [frigidaire.com](http://frigidaire.com) for detailed instructions.

