

Dishwashers

FGCD2444S F/A¹/W/B

24" Built-In



Signature Features



34-Minute Quick Clean
Saves you time — cleans dishes in 34 minutes.



BladeSpray[®] Spray Arm
Cleans stubborn baked-on foods in one cycle with four times better water coverage.²



Effortless[™] Dry
Move your dishes straight to your cabinets dry, eliminating the need to towel dry.



DishSense[™] Technology
Automatically adjusts the cycle time based on how much cleaning your dishes need.

Product Dimensions

Height (Adjustable)	33-1/2"–35"
Width	24"
Depth (Including Door)	25"

More Easy-To-Use Features

Stemware Holders & 2 Cup Shelves
Keep cups and glasses organized and in place.

Smudge-Proof[™] Stainless Steel³
Resists fingerprints and cleans easily.

Quiet
Run your dishwasher while you're in the same room. It runs at 54 dBA.

Stay-Put Door
The door stays put at whatever angle you open it for easy loading and unloading.

Fits up to 14 Place Settings
Cleans 14 place settings in one cycle.

Greystone, Polymer Tub
Supports the drying process, keeping dishes dry the first time.

Delay Start
Set your dishwasher to run on your schedule. It can be set to run 2, 4 or 6 hours in advance.

Multiple-Cycle Option
Features easy-to-use cleaning cycle options including Rinse Only, Heavy Clean and Upper Rack.

ENERGY STAR[®]

NSF[®] International Certification



Available in:



Stainless (F/A¹)



White (W)



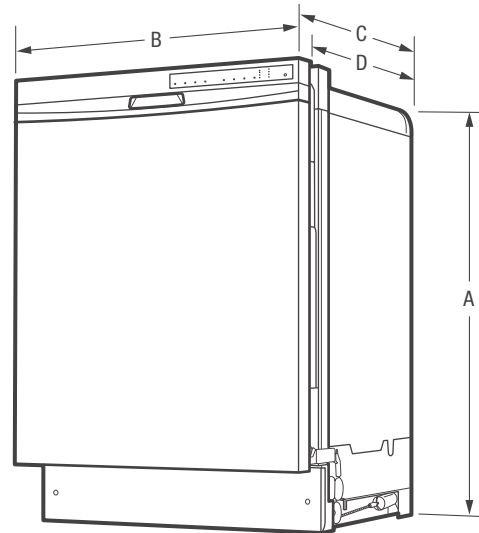
Black (B)

¹Stainless Steel with Matching Console.

²Compared to a traditional spray arm.

³Select models only.

Features	
Control Design	Super Slimline
Digital Display	
Door Latch/Stay-Put Door Hinge Design	Yes/Yes
Low Rinse-Aid Indicator Light	Yes
Interior Colour/Interior Design	Greystone/Tall Tub
Wash System	Direct Feed
Wash Arm	BladeSpray®
Wash Levels/Wash Speeds	5/5
DishSense™ Technology	Yes
AquaSurge™ Technology	
Sound Package	Ultra Quiet IV
Filter/Filter Trap	S. Steel/Removable
Soft Food Disposer	Yes
dB Level	54
Drying System	Effortless™ Dry
Cycles	
Number of Cycles	5
Heavy Clean	Yes
Normal	Yes
Light	
Quick Wash	Yes
Favourite	
China Crystal	
Rinse Only	Yes
Energy Saver Plus	
Upper Rack Wash Only	Yes
Cycle Indicator Light/Control Lock	Yes/Yes
Cycle Complete Floor Beam Indicator	
Options	
Heat/No Heat Dry	Yes/Yes
Hi-Temp Wash	Yes
NSF® Certified Sanitize Rinse	Yes
Delay Start	2-4-6 Hour
Rack System	
Rack Design	Best
Rack Coating	Nylon TufRacks™
Upper Rack -	
Rack Handles	Yes
Stemware/Champagne Glass Holders	
Fold-Down Tines	
Cup Shelves/Stemware Grips	2/Yes
Versa-Tray™	
Adjustable Rack	
Lower Rack -	
SpaceWise® Silverware Basket	Ultra 1
Fold-Down Tines	
Small Items Cover	
Third-Level Rack (Single Tray)	
Certifications	
ENERGY STAR®	Yes
NSF® International Certification	Yes
Specifications	
Water Inlet Location	Bottom Left
Water Usage (Gallons)	4.9 - 8.5
Water Pressure (PSI)	20 - 120
Integral Air Gap on Supply	Yes
Leveling Legs	4
Power Supply Connection Location	Right Bottom Front
Voltage Rating	120V / 60 Hz
Connected Load (kW Rating) @ 120 Volts ¹	1.20
Amps @ 120 Volts	10
Shipping Weight (Approx.)	83 Lbs.



NOTE: For planning purposes only. Always consult local and national electric and plumbing codes. Refer to Product Installation Guide for detailed installation instructions on the web at frigidaire.ca.



Product Dimensions	
A - Height (Adjustable)	33-1/2" - 35"
B - Width	24"
C - Depth (Including Door)	25"
D - Depth (To Tub Flange)	22-1/2"
Depth with Door Open 90°	49-1/4"

Cutout Dimensions	
Height (Min.)	34-1/4"
Height (Max.)	35"
Width (Min.)	24"
Depth (Min.)	24"

¹For use on adequately wired 120V, dedicated circuit having 2-wire service with a separate ground wire. Appliance must be grounded for safe operation.

Accessories information available on the web at frigidaire.ca