

## FFGF3052T D/S/W/B

### FREESTANDING RANGES

30" GAS



#### AVAILABLE COLORS



#### PRODUCT DIMENSIONS

Height (Max.)	47"
Width	29-7/8"
Depth (Incl. Handle)	29-1/4"

#### MORE EASY-TO-USE FEATURES

##### Broil and Serve Drawer

Easily toast, brown, or crisp the outside of your food at the touch of a button.

##### Low Simmer Burner

Perfect for delicate foods and sauces.

##### Color-Coordinated Oven Door with Extra-Large Window

Our extra-large oven window makes it easier to check on the status of your dish without having to open the oven door.

##### Attractive Stainless Steel Exterior

##### Manual Clean Oven

### SIGNATURE FEATURES

#### Quick Boil

Get meals on the table faster with our 16,000 BTU burner — water boils faster than the traditional setting.

#### Oval Burner

Evenly heat and cook on griddles with the 10,000 BTU oval burner.

#### Continuous Corner-to-Corner Grates

Move heavy pots & pans without lifting with continuous corner-to-corner grates.

#### Sealed Gas Burners

Enjoy easier cleanup and a burner that stays looking great.

BURNERS	BTU
Right Front	16,000
Right Rear	5,000
Left Front	9,500
Left Rear	12,000
Center Oval	10,000

# FFGF3052T D/S/W/B FREESTANDING RANGES

# FRIGIDAIRE

## 30" GAS

### FEATURES

Oven Control/Timing System	Ready-Select® Controls
Surface Type	Black Porcelain (D/S), Color-Coordinated Porcelain (W/B)
Sealed Gas Burners	Yes
Grates	Continuous Cast Iron with Black Matte Finish
Window	Extra-Large
Exterior Door Finish	Black Stainless (D), Stainless (S), Color-Coordinated (W/B)
Handle Design	Black Stainless (D), Stainless (S), Color-Coordinated (W/B)
Exterior Finish (Side Panels)	Black (D/S), Color-Coordinated (W/B)
Oven Cleaning System	Manual Clean
Drawer Functionality	Broil & Serve

### OVEN CONTROLS

Bake	Yes
Broil	Yes
Kitchen Timer	Yes

### COOKTOP FEATURES

Right Front Burner (BTU)	16,000
Right Rear Burner (BTU)	5,000
Left Front Burner (BTU)	9,500
Left Rear Burner (BTU)	12,000
Center Oval Burner (BTU)	10,000

### OVEN FEATURES

Capacity (Cu.Ft.)	4.2
Oven Light	1 Incandescent 40W
Hidden Bake	Yes
Rack Configuration	2 Standard
Baking System	Even Baking Technology
Broiling System	Vari-Broil™ (Hi/Lo)
Bake Burner/Broil Burner (BTU)	18,000/16,000

### OPTIONAL ACCESSORIES

LP Gas Conversion Kit	PN# GRLP4
-----------------------	-----------

### SPECIFICATIONS

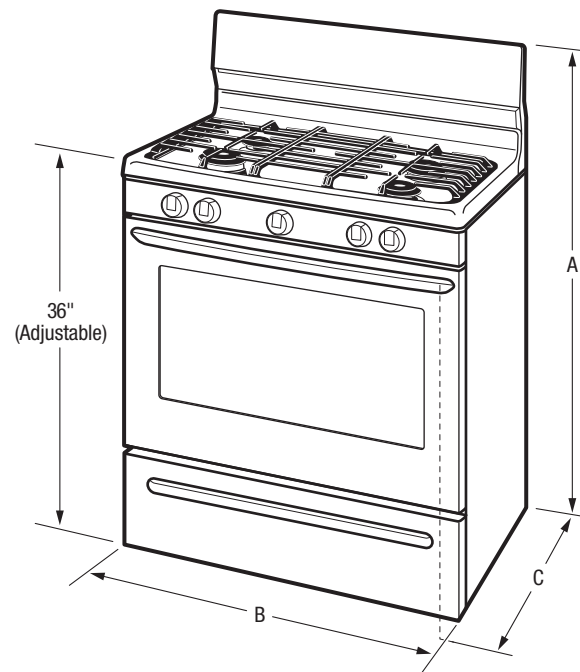
Oven Interior (H x W x D)	17" x 23" x 18-3/4"
Power Cord Connection Location	Middle Bottom Rear
Gas Supply Connection Location	Right Bottom Rear
Voltage Rating	120V/60Hz/5A
Amps @ 120 Volts	5
Shipping Weight (Approx.)	180 Lbs.

### PRODUCT DIMENSIONS

A - Height (Max.)	47"
B - Width	29-7/8"
C - Depth (Incl. Handle)	29-1/4"
Depth with Door Open 90°	45"

### CABINET CUTOUT DIMENSIONS

Height (Standard)	36"
Width (Min.)	30"
Depth (Min.)	24"



36"  
(Adjustable)

B

A

C



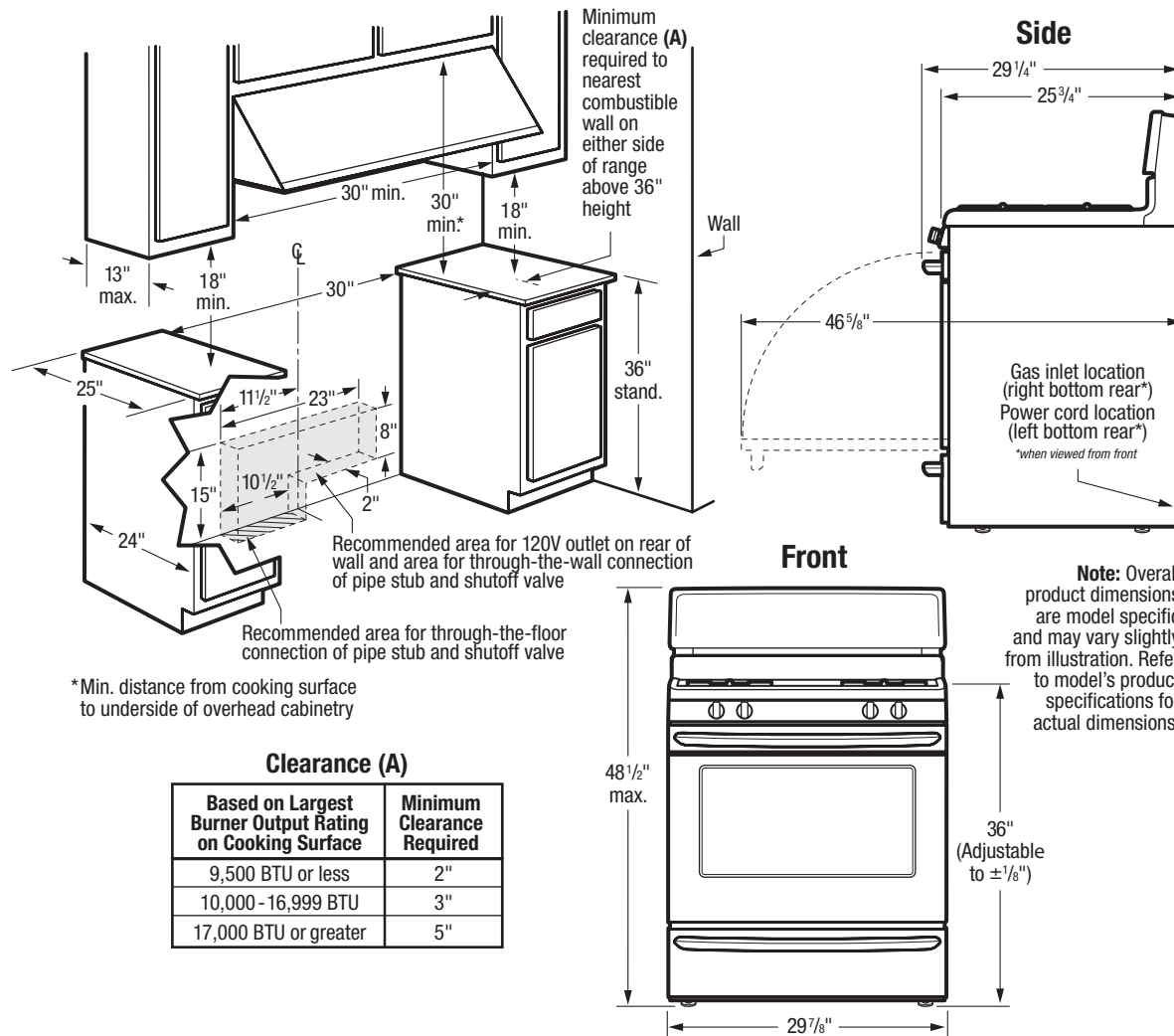
**Note:** For planning purposes only. Always consult local and national electric, gas and plumbing codes. Refer to Product Installation Guide for detailed installation instructions on the web at [frigidaire.com](http://frigidaire.com).

Specifications subject to change. Accessories information available on the web at [frigidaire.com](http://frigidaire.com)

**FRIGIDAIRE**

USA • 10200 David Taylor Drive • Charlotte, NC 28262 • 1-800-FRIGIDAIRE • [frigidaire.com](http://frigidaire.com)  
CANADA • 5855 Terry Fox Way • Mississauga, ON L5V 3E4 • 1-800-265-8352 • [frigidaire.ca](http://frigidaire.ca)

FFGF3052T 07/18  
© 2018 Electrolux Home Products, Inc.



## INSTALLATION SPECIFICATIONS

- Product Shipping Weight (approx.) - 180 Lbs.
- Voltage Rating - 120V/60 Hz/5 Amps
- Amps @ 120 Volts = 5 Amps
- Always consult local and national electric and gas codes.
- Make sure wall coverings around range can withstand heat generated by range.
- Linoleum or any other synthetic floor covering located beneath range, must be capable of withstanding minimum heat of 90°F above room temperature without shrinking, warping or discoloring. Insulating pad or 1/4"-thick plywood required between range and a carpeted floor.
- Do not obstruct flow of combustion air at oven vent nor around base or beneath lower front panel of range. Range requires fresh air for proper burner combustion.
- Do not install range beneath any downward-blowing, overhead vent hood or air curtain.
- Range ships with 3/4" factory regulator.
- Range is LP Gas convertible. (Optional LP Gas Conversion Kit available.)

- Floor beneath range MUST be solid and level.
- Overhead cabinetry should not exceed a 13" maximum depth.
- Absolute minimum horizontal distance between overhead cabinets installed to either side of appliance must be no less than maximum width of appliance.
- Range can be installed flush to wall with 0" minimum rear clearance.
- Minimum clearance required (from edge of rangetop to nearest combustible wall on either side of range above 36" height) is based on largest burner output rating on cooking surface.
- To reduce risk of fire when using overhead cabinetry, install range hood that projects horizontally a recommended minimum of 5" beyond bottom of cabinets.
- Follow all dimension requirements provided to prevent property damage, potential fire hazard, and incorrect countertop and cabinet cuts.

### OPTIONAL ACCESSORIES

- LP Gas Conversion Kit - (PN# GRLP4).

