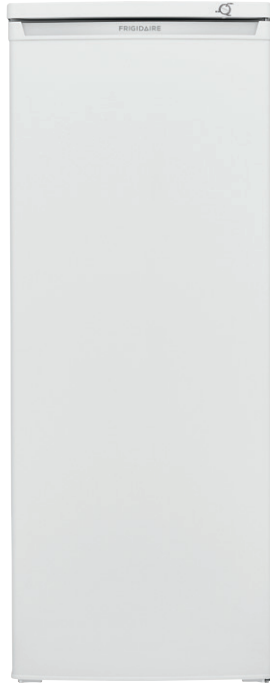


## FFFU06M1TW

### FREEZER

MANUAL DEFROST  
6 CU. FT. UPRIGHT



#### AVAILABLE COLORS



White

#### PRODUCT DIMENSIONS

Height (Including Hinges) 56-13/16"

Width 21-3/4"

Depth (Including Door) 22-13/16"

### SIGNATURE FEATURES

#### Fits More Places

Space-saving upright freezer perfect for small spaces.

#### 5 Wire Shelves

Organize and conveniently store your favorite frozen foods with five wire shelves.

#### Adjustable Temperature Control

Easily adjust the temperature settings for your preferred needs.

# FFFU06M1TW FREEZER

6 CU. FT. UPRIGHT

FRIGIDAIRE

## FEATURES

Door Handle Design	Integrated
Reversible Door	Yes
Automatic Door Closer	Yes
Leveling Legs	Yes
Lock with Pop-Out Key	
Defrost	Manual
Adjustable Temperature Control	Mechanical Dial
High-Temp Alarm	
Door Ajar Alarm	
Interior Lighting	
Full-Width Adjustable Shelves	
Full-Width Fixed Shelves	5 Wire
Removable Trivet	
Mid-Level Baskets	
Lower Storage Basket	
Basket Dividers	
Full-Width Door Bins	
Fixed Door Racks	
Defrost Drain	
Power-On Light	

## CERTIFICATIONS

CSA Rating	Household
------------	-----------

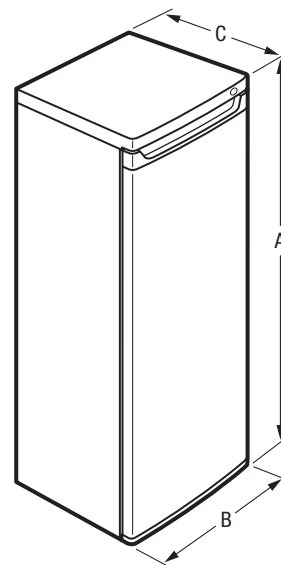
## SPECIFICATIONS

Total Capacity (Cu. Ft.)	5.8
Shelf Area (Sq. Ft.)	1.23
Annual Energy (kWh)	281
Annual Energy Cost (12/kWh)	\$33.72
Power Cord Connection Location	Lower Right Rear
Voltage Rating	120V/60Hz
Connected Load (kW rating) @ 120 Volts <sup>1</sup>	.1
Amps @ 120 Volts	1.5
Minimum Circuit Required (Amps)	15
Shipping Weight (Approx.)	100 Lbs.

<sup>1</sup>An electrical supply with grounded three-prong receptacle is required. The power supply circuit must be installed in accordance with current edition of National Electrical Code (NFPA 70) and local codes & ordinances.

## PRODUCT DIMENSIONS

A - Height (Including Hinges)	56-13/16"
B - Width	21-3/4"
C - Depth (Including Door)	22-13/16"
Depth with Door Open 90°	42-1/8"

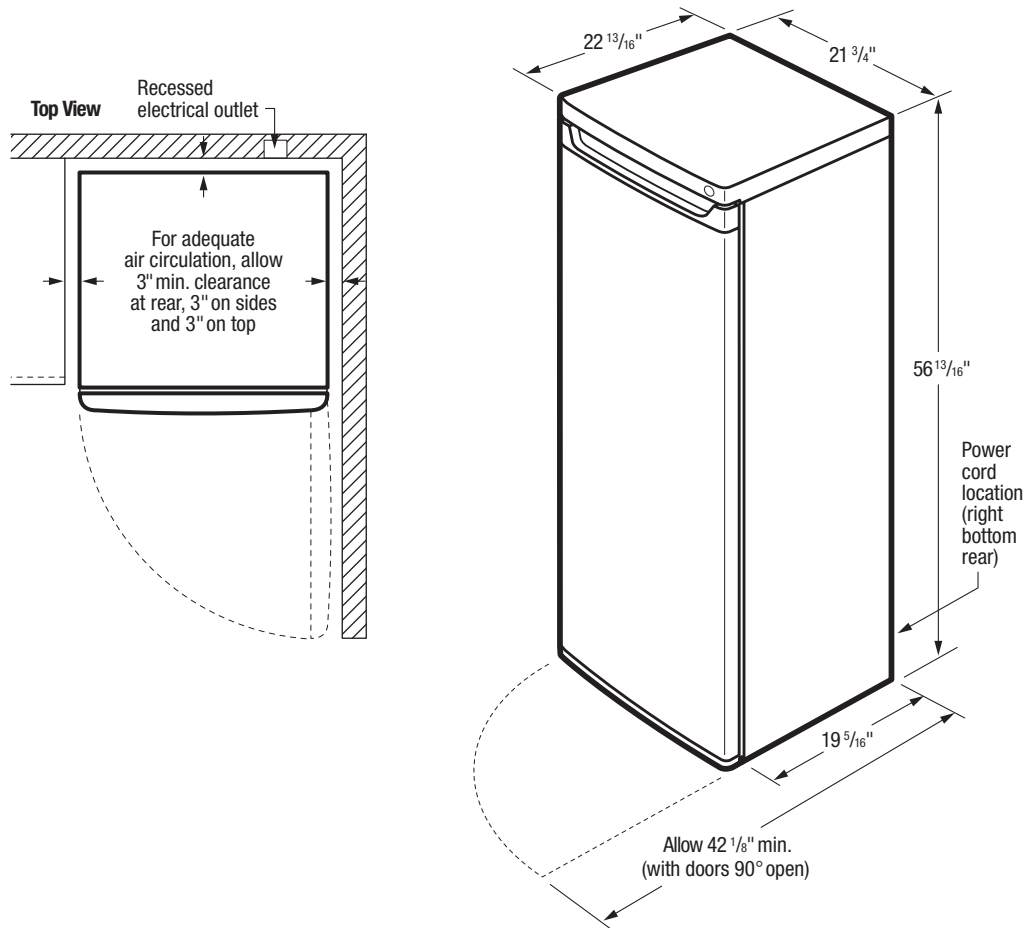


**Note:** For planning purposes only. Always consult local and national electric, gas and plumbing codes. Refer to Product Installation Guide for detailed installation instructions on the web at [frigidaire.com](http://frigidaire.com) / [frigidaire.ca](http://frigidaire.ca).  
Specifications subject to change. Accessories information available on the web at [frigidaire.com](http://frigidaire.com) / [frigidaire.ca](http://frigidaire.ca)

FRIGIDAIRE

USA • 10200 David Taylor Drive • Charlotte, NC 28262 • 1-800-FRIGIDAIRE • [frigidaire.com](http://frigidaire.com)  
CANADA • 5855 Terry Fox Way • Mississauga, ON L5V 3E4 • 1-800-265-8352 • [frigidaire.ca](http://frigidaire.ca)

FFFU06M1T 10/17  
© 2017 Electrolux Home Products, Inc.



## INSTALLATION SPECIFICATIONS

- Product Shipping Weight (approx.) - 100 Lbs.
- An electrical supply with grounded three-prong receptacle is required. The power supply circuit must be installed in accordance with current edition of National Electrical Code (NFPA 70) and local codes & ordinances.
- Voltage Rating - 120V/60Hz
- Connected Load (kW Rating) @ 120 Volts = 0.1 kW
- Amps @ 120 Volts = 1.5 Amps
- Always consult local and national electric codes.
- For adequate air circulation, allow 3" minimum clearance on all sides and top with 1" at bottom.
- Locate where surrounding air temperature will not exceed 110°F, to ensure optimum performance. (Temperatures 32°F and below will NOT affect operation.)
- All bottom corners of unit MUST rest firmly on solid level surface of hard material, same height as flooring. Surface must be strong and stable enough to support unit when fully loaded.
- Equipped with adjustable leveling legs to ensure unit is level, which is required in order to function properly.

