

## FFCD2413U S/W/B

### DISHWASHER

24" BUILT-IN



#### AVAILABLE COLORS



Stainless



White



Black

#### PRODUCT DIMENSIONS

|                      |               |
|----------------------|---------------|
| Height (Min. - Max.) | 33-1/2" - 35" |
| Width                | 24"           |
| Depth                | 25"           |

#### MORE EASY-TO-USE FEATURES

**Time-Saving 4-Hour Delay Start**  
Set your dishwasher to run on your schedule. It can be set to run 4 hours in advance.

#### Cycle Status Indicators

Know when your dishes are washing, drying and clean with the status indicators.

#### Filtration System

Self-cleaning filter eliminates food particles, keeping dishes clean.

#### Stay-Put Door Allows For Easier Loading

The door stays put at whatever angle you open it for easy loading and unloading.

#### Durable Polymer Wash Tub

Supports the drying process, keeping dishes dry the first time.

#### SIGNATURE FEATURES

#### A Thorough Clean Every Time

Three separate spray arms give your dishes the ultimate clean every time.

#### Fits up to 14 Place Settings

Cleans 14 place settings in one cycle.

#### Heated Drying System

Heating element helps dry your dishes the first time.

#### ENERGY STAR®-Certified

Maximize your energy and dollar savings with ENERGY STAR® Certified Appliances.

#### CERTIFICATIONS

ENERGY STAR®



# FFCD2413U S/W/B DISHWASHER

FRIGIDAIRE

24" BUILT-IN

## FEATURES

|                               |               |
|-------------------------------|---------------|
| Control Design                | Ready-Select® |
| Door Latch                    | Yes           |
| Stay-Put Door Hinge Design    | Yes           |
| Low Rinse-Aid Indicator Light | Yes           |
| Interior Color                | Greystone     |
| Interior Design               | Tall Tub      |
| Wash System                   | Direct Feed   |
| Wash Levels                   | 5             |
| Wash Speeds                   | 5             |
| Sound Package                 | UltraQuiet™ I |
| Filter                        | Poly          |
| Filter Trap                   | Removable     |
| Food Disposer                 | Hard          |
| dB Level                      | 60            |
| Drying System                 | Static Vent   |

## CYCLES

|                       |     |
|-----------------------|-----|
| Number of Cycles      | 3   |
| PowerPlus™ (Heavy)    | Yes |
| Normal                | Yes |
| Light                 | Yes |
| Cycle Indicator Light | Yes |
| Control Lock          | Yes |

## OPTIONS

|              |         |
|--------------|---------|
| Heat         | Yes     |
| No Heat Dry  | Yes     |
| Hi-Temp Wash | Yes     |
| Delay Start  | 4 Hours |

## RACK SYSTEM

|              |          |
|--------------|----------|
| Rack Design  | Standard |
| Rack Coating | PVC      |

### Lower Rack -

|                              |          |
|------------------------------|----------|
| SpaceWise® Silverware Basket | Standard |
|------------------------------|----------|

### Upper Rack -

|           |       |
|-----------|-------|
| Rack Type | Basic |
|-----------|-------|

## CERTIFICATIONS

|              |     |
|--------------|-----|
| ENERGY STAR® | Yes |
|--------------|-----|

## SPECIFICATIONS

|   |                    |
|---|--------------------|
| Water Inlet Location                                | Left Bottom Front  |
| Water Usage (Gallons)                               | 6.0                |
| Water Pressure (PSI)                                | 20 - 120           |
| Integral Air Gap on Supply                          | Yes                |
| Leveling Legs                                       | Yes                |
| Power Supply Connection Location                    | Right Bottom Front |
| Voltage Rating                                      | 120V / 60 Hz / 15A |
| Connected Load (kW Rating) @ 120 Volts <sup>1</sup> | 1.44               |
| Amps @ 120 Volts                                    | 10.0               |
| Shipping Weight (Approx.)                           | 83 Lbs.            |

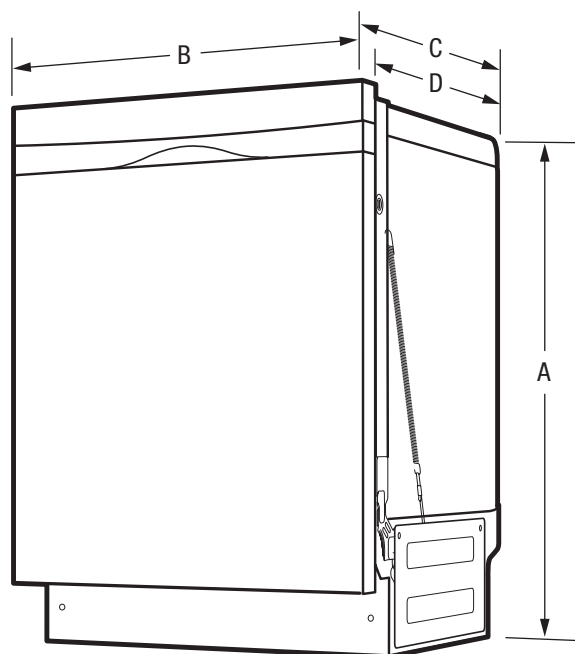
<sup>1</sup> For use on adequately wired 120V, dedicated circuit having 2-wire service with a separate ground wire. Appliance must be grounded for safe operation.

## PRODUCT DIMENSIONS

|                          |               |
|--------------------------|---------------|
| A - Height (Min. - Max.) | 33-1/2" - 35" |
| B - Width                | 24"           |
| C - Depth                | 25"           |
| Depth with Door Open 90° | 49-1/4"       |

## CUTOUT DIMENSIONS

|               |         |
|---------------|---------|
| Height (Min.) | 33-1/2" |
| Height (Max.) | 35-1/4" |
| Width (Min.)  | 24"     |
| Depth (Min.)  | 24"     |

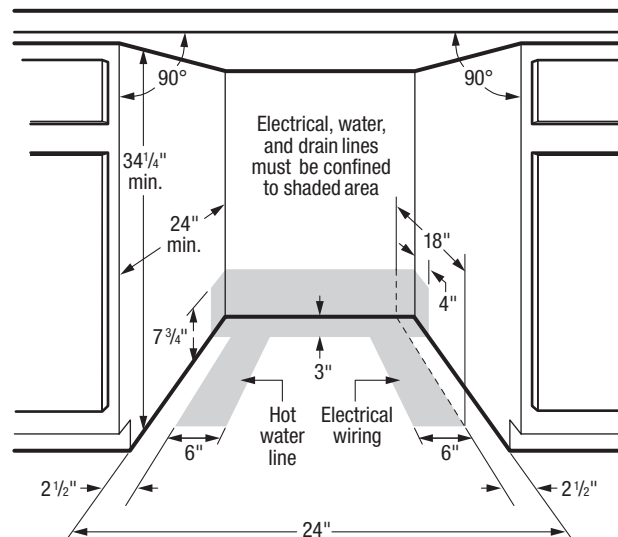
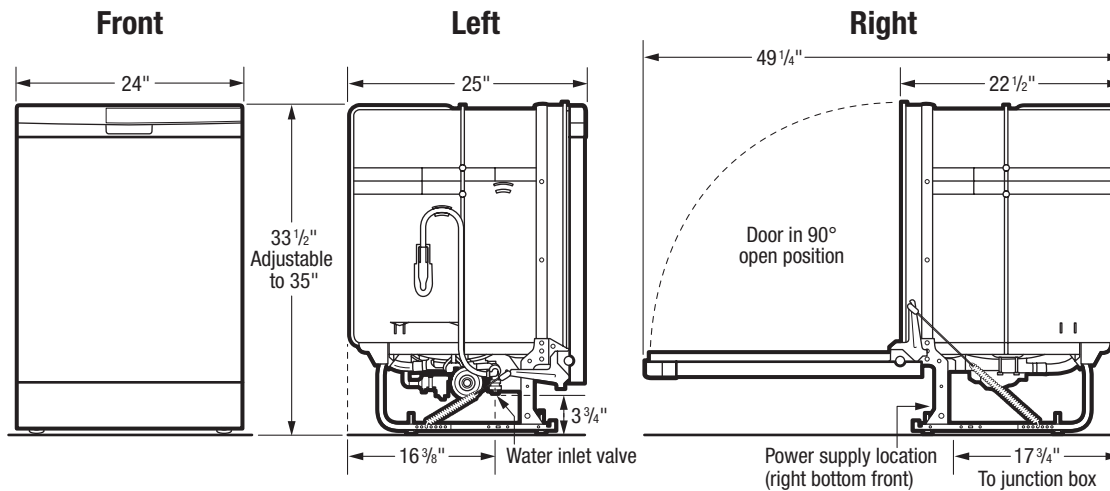


**Note:** For planning purposes only. Always consult local and national electric, gas and plumbing codes. Refer to Product Installation Guide for detailed installation instructions on the web at [frigidaire.com](http://frigidaire.com) / [frigidaire.ca](http://frigidaire.ca). Specifications subject to change. Accessories information available on the web at [frigidaire.com](http://frigidaire.com) / [frigidaire.ca](http://frigidaire.ca)

FRIGIDAIRE

USA • 10200 David Taylor Drive • Charlotte, NC 28262 • 1-800-FRIGIDAIRE • [frigidaire.com](http://frigidaire.com)  
CANADA • 5855 Terry Fox Way • Mississauga, ON L5V 3E4 • 1-800-265-8352 • [frigidaire.ca](http://frigidaire.ca)

FFCD2413U 06/18  
© 2018 Electrolux Home Products, Inc.



## INSTALLATION SPECIFICATIONS

- Product Shipping Weight (approx.) – 83 Lbs.
- Voltage Rating – 120V / 60 Hz / 15 Amps (maximum 20 Amps if connected with disposer)
- Connected Load (kW Rating) @ 120 Volts = 1.44 kW (For use on adequately wired 120V, dedicated circuit having 2-wire service with a separate ground wire. Appliance must be grounded for safe operation.)
- Amps @ 120V = 10 Amps
- Always consult local and national electric & plumbing codes. Meets requirements of ASSE 1006—integral air gap on supply.
- Water Pressure – Hot water line to dishwasher must provide between 20 and 120 pounds per square inch (psi) with at least 120°F hot water temperature.
- Make sure location has correct drain, water and electrical outlets to make connections—MUST be confined to shaded areas.
- Electrical and water supplies should enter cabinet opening on floor, or through back or side walls, as shown in shaded areas.
- Keep back free of drain, water & electrical supply.
- Connections preferably located toward left side of dishwasher. Do not cross drain, water or electrical lines in front of motor, blower or frame.
- If connecting drain hose to sink trap, local code may require installation of Air Gap Kit (not included).
- Leveling legs supplied to adjust height. (Note: Height only adjustable to 35-3/4" max. when installed in 35-3/4" max. standard cabinetry cutout. 5/16" min. clearance required from top of unit to underside of countertop. Dimensions do NOT include insulation — insulation blanket may be compressed during installation.)
- When installing adjacent to wall, cabinet or other obstruction that extends beyond front edge of unit, allow 2" minimum clearance between opened door and obstruction.
- Floor should be flat and free of obstructions with carpet removed to provide motor clearance.
- When installing at end of cabinet line, sides and back must be fully enclosed.
- Do not install unit under a cooktop, damage will occur.
- Recommended to seal cabinets, enclosing all sides of dishwasher, including underside of countertop, with oil-based paint or moisture-proof polyurethane to prevent possible steam/moisture damage.



**Note:** For planning purposes only. Always consult local and national electric, gas and plumbing codes. Refer to Product Installation Guide for detailed installation instructions on the web at [frigidaire.com](http://frigidaire.com) / [frigidaire.ca](http://frigidaire.ca). Specifications subject to change. Accessories information available on the web at [frigidaire.com](http://frigidaire.com) / [frigidaire.ca](http://frigidaire.ca)

FRIGIDAIRE

USA • 10200 David Taylor Drive • Charlotte, NC 28262 • 1-800-FRIGIDAIRE • [frigidaire.com](http://frigidaire.com)  
CANADA • 5855 Terry Fox Way • Mississauga, ON L5V 3E4 • 1-800-265-8352 • [frigidaire.ca](http://frigidaire.ca)

FFCD2413U 06/18

© 2018 Electrolux Home Products, Inc.