

FRIGIDAIRE

FCRG3052AB
FCRG3052AS
FCRG3052AW

Available Colors : Black, Stainless Steel, White

Version : 08/19

Gas Ranges

30" Gas Range



Product Specifications

Electrical Specifications

Power Supply Connection Location	Rear Centerline Lower
Min Circuit Required	5A
Voltage Rating	120V 60Hz

Certifications & Approvals

ADA Compliant	No
Agency Approval	CSA Certified
Sabbath Mode (Star-K® Certified)	No

Exterior Dimensions

Depth	25-3/4"
Height	46-9/16"
Width	29-7/8"

Drawer

Drawer Functionality	Storage
Handle	Color Coordinated

General Specifications

Leveling Legs	4 Adjustable
PROP 65 Label	Yes

Cooking Controls

Bake	Yes
Broil	Yes
Clear Button	Yes
Lockout	No
Lower Drawer Controls	No
Self-Clean	No
Temperature Probe	No
Timed Cook Option	No
Timer	Yes
Timed Shut-off	No

Oven Specifications

Oven 1 Bake	18000 BTU
Oven 1 Baking System	Even Baking Technology
Oven 1 Broil	1400 Watts
Oven 1 Broiling System	Vari-Broil™ High/Low
Oven 1 Cleaning System	Manual Clean
Oven 1 Interior Lighting	1 Incandescent
Oven 1 Interior Depth	19-1/8"
Oven 1 Interior Height	18-5/8"
Oven 1 Interior Width	24-3/8"
Oven 1 Rack Configuration	2 Standard
Oven 1 Rack Positions	6 positions
Capacity (Cu. Ft.)	5.0
Oven 1 Type	Main
Oven Window	Extra-Large Visualite®

Cooktop

Center	Oval 10000 BTU
Cooking Surface	Sealed Burners
Grate Color	Black Matte
Grate Material	Cast Iron
Grates	3 Continuous Grates
Knob Type	Color Coordinated
Left Front	9500 BTU
Left Rear	12000 BTU
Right Front	16000 BTU
Right Rear	5000 BTU

Finish

Control Panel Finish	Color Coordinated
Cooktop Finish	Color Coordinated
Door Finish	Color Coordinated
Drawer Finish	Color Coordinated
Exterior Finish	Color Coordinated
Manifold Panel	Color Coordinated

Note: For planning purposes only. Always consult local and national electric, gas and plumbing codes. Refer to Product Installation Guide for detailed installation instructions on the web at frigidaire.com/frigidaire.ca. Specifications subject to change. Accessories information available on the web at frigidaire.com/frigidaire.ca.

FCRG3052AB
FCRG3052AS
FCRG3052AW

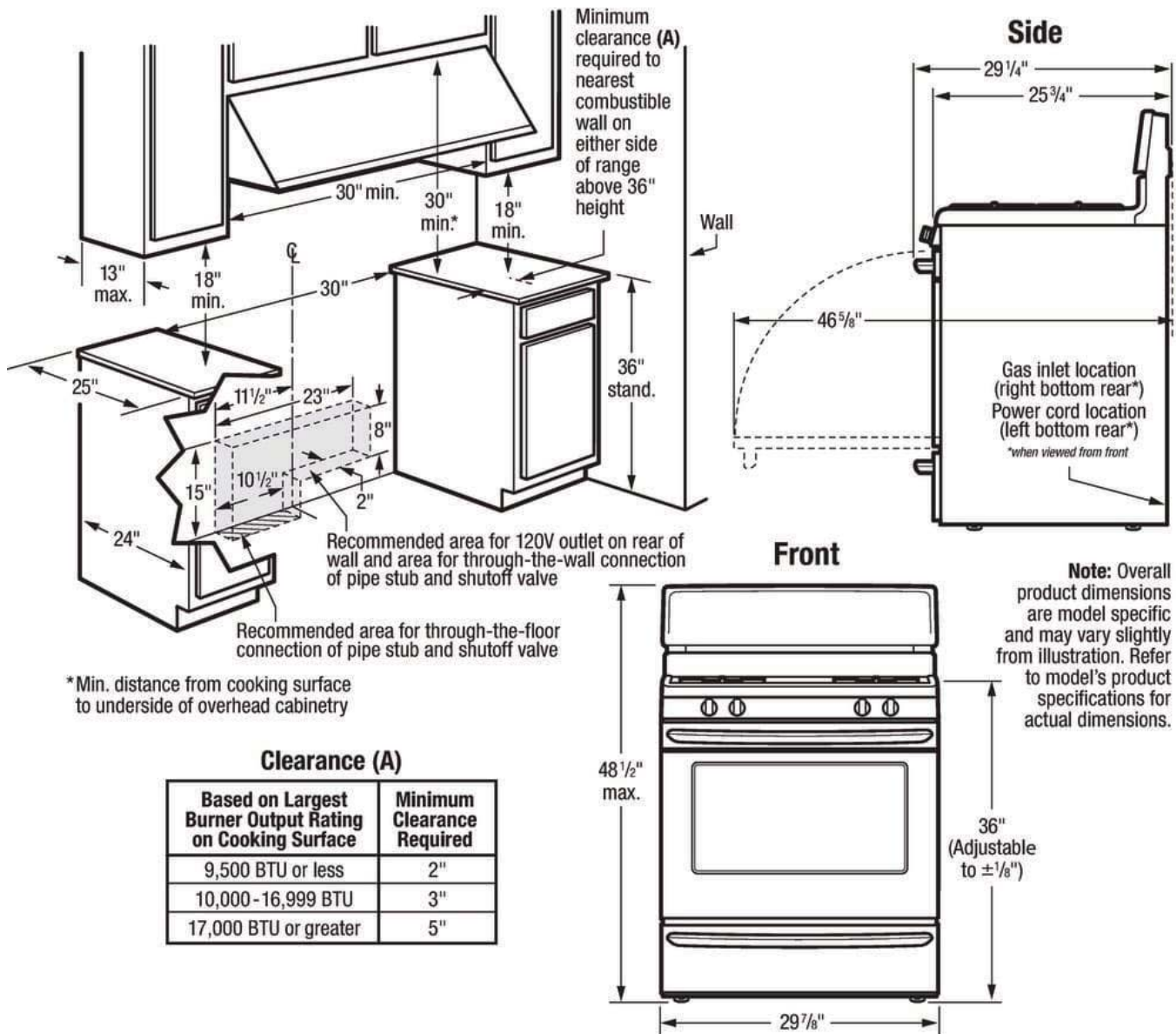
Available Colors : Black, Stainless Steel, White

Version : 08/19

Gas Ranges

30" Gas Range

Installation Drawing



Based on Largest Burner Output Rating on Cooking Surface	Minimum Clearance Required
9,500 BTU or less	2"
10,000 - 16,999 BTU	3"
17,000 BTU or greater	5"

Note: For planning purposes only. Always consult local and national electric, gas and plumbing codes. Refer to Product Installation Guide for detailed installation instructions on the web at frigidaire.com/frigidaire.ca. Specifications subject to change. Accessories information available on the web at frigidaire.com/frigidaire.ca