

FRIGIDAIRE

FCRC3005AW

Available Colors : White

Version : 08/19

Electric Ranges

30" Electric Range



Product Specifications

Electrical Specifications

Connected Load (kW Rating) @ 240V	11.0/8.0
Power Supply Connection Location	Right Rear Bottom
Minimum Circuit Required (Amps)	40A
Voltage Rating	120V / 240V or 120V / 208V 60Hz

Certifications & Approvals

ADA Compliant	No
Agency Approval	UL
Sabbath Mode	No

Exterior Dimensions

Depth	25-3/4"
Height	46-9/16"
Width	29-7/8"

Drawer

Drawer Functionality	Storage
Handle	Integrated

General Specifications

Leveling Legs	4 Adjustable
PROP 65 Label	Yes

Cooking Controls

Automatic Oven (Delay Cook & Off)	Yes
Bake	Yes
Broil	Broil Variable (400 - 500°F)
Cancel	No
Lockout	No
Lower Drawer Controls	Storage
Self-Clean	No
Probe	No
Timed Bake	No
Timer	No
Timed Shut-off	No

Oven Specifications

Bake	2600 Watts
Baking System	Even Baking Technology
Broil	3000 Watts
Broil System	Vari-Broil™ High/Low
Oven 1 Cleaning System	Manual Clean
Hidden Bake Element	No
Oven 1 Interior Lighting	No
Oven 1 Interior Color	Slate Blue
Oven 1 Interior Depth	19-1/8"
Oven 1 Interior Height	19-3/4"
Oven 1 Interior Width	24-3/8"
Oven 1 Rack Configuration	2 Standard
Oven 1 Rack Positions	6 positions
Total Capacity	5.3
Oven 1 Type	Main

Cooktop

Bowl Type	Black Porcelain
Cooking Surface	Slabtop Coil with Black Porcelain Bowls
Cooktop Surface Type	coil
Element On Indicator Light	2 Clear
Knob Color	Color-Coordinated
Knob Type	Plastic CC
Left Front	8" - 2400 Watts
Left Rear	6" - 1500 Watts
Right Front	6" - 1500 Watts
Right Rear	8" - 2400 Watts

Finish

Control Panel Finish	Color-Coordinated Metal
Cooktop Finish	Color-Coordinated Porcelain
Door Finish	Color-Coordinated Glass
Drawer Finish	Color-Coordinated with Integrated Handle
Exterior Finish	Painted
Handle Color	White

Note: For planning purposes only. Always consult local and national electric, gas and plumbing codes. Refer to Product Installation Guide for detailed installation instructions on the web at frigidaire.com/frigidaire.ca. Specifications subject to change. Accessories information available on the web at frigidaire.com/frigidaire.ca

FRIGIDAIRE

FCRC3005AW

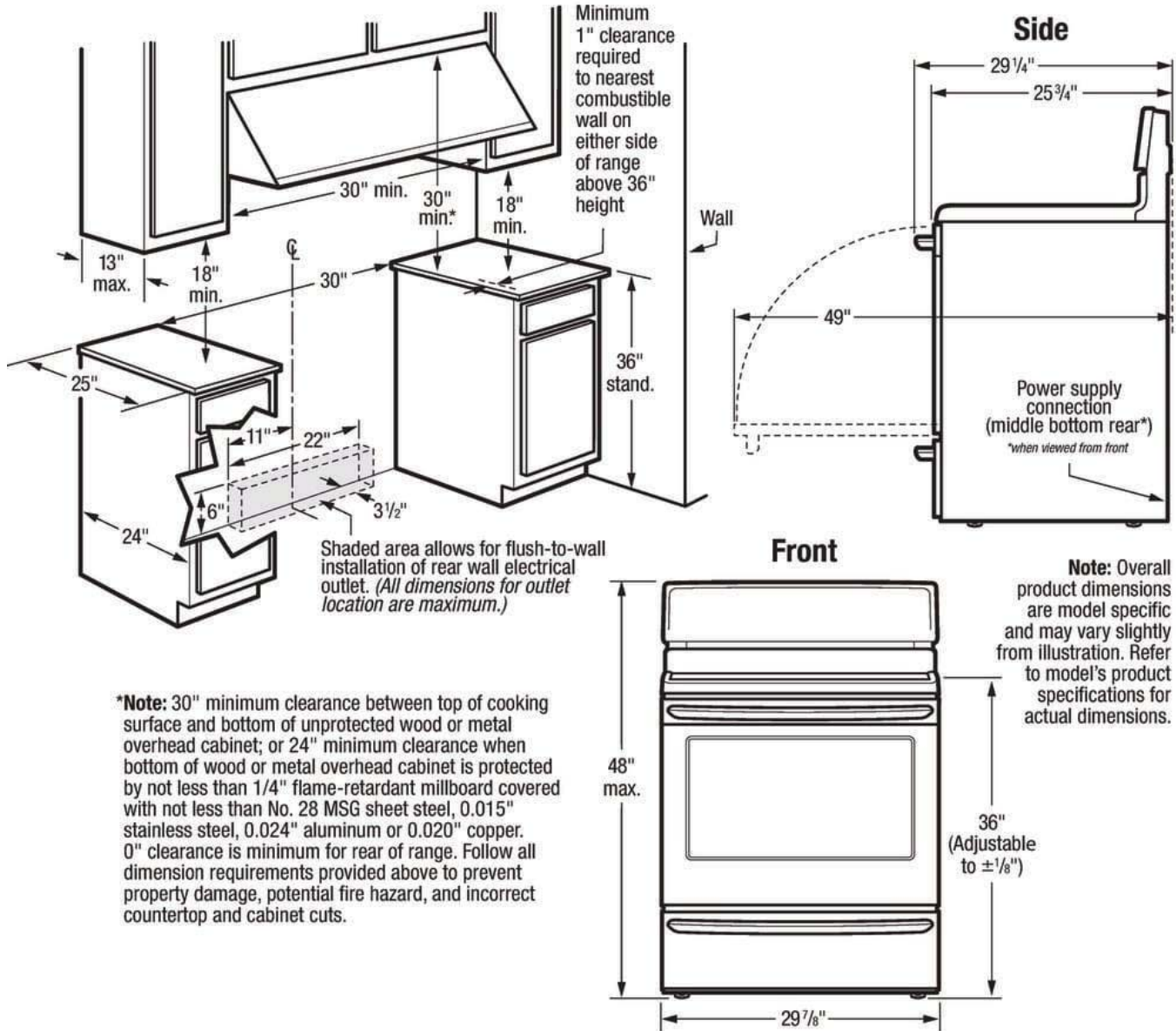
Available Colors : White

Version : 08/19

Electric Ranges

30" Electric Range

Installation Drawing



***Note:** 30" minimum clearance between top of cooking surface and bottom of unprotected wood or metal overhead cabinet; or 24" minimum clearance when bottom of wood or metal overhead cabinet is protected by not less than 1/4" flame-retardant millboard covered with not less than No. 28 MSG sheet steel, 0.015" stainless steel, 0.024" aluminum or 0.020" copper. 0" clearance is minimum for rear of range. Follow all dimension requirements provided above to prevent property damage, potential fire hazard, and incorrect countertop and cabinet cuts.

Note: For planning purposes only. Always consult local and national electric, gas and plumbing codes. Refer to Product Installation Guide for detailed installation instructions on the web at frigidaire.com/frigidaire.ca. Specifications subject to change. Accessories information available on the web at frigidaire.com/frigidaire.ca.