

Glass Door Merchandiser

FCGM181RQ B

18.4 Cu. Ft. Commercial,
Food Service Grade



Signature Features

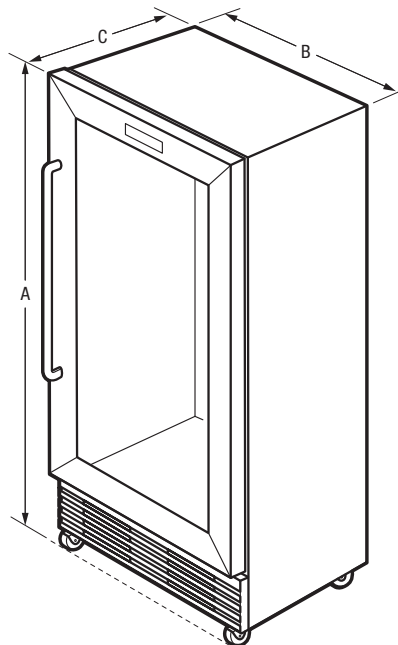
Dual-Pane, Argon Gas-Filled
Glass Display Door

Dynamic Condenser Improves
Performance In Higher
Temperature Environments

Heavy-Duty Cooling System,
NSF®-Certified Performance

Heavy-Duty, Locking Casters

Temperature Range
32 to 44 Degrees Fahrenheit



Product Dimensions

A - Height (Including Hinges & Casters)	74-5/8"
B - Width	32"
C - Depth (Including Door)	26-5/16"
Depth with Door Opened 90°	57"

More Easy-To-Use Features

Heavy-Duty, NSF®-Certified
White Wire Shelves

NSF®-Certified For Food Service
Applications

NSF®-Certified Interior Lighting
System

NSF®-Certified Stainless Steel
Handle

NSF®-Certified Temperature Gauge

Sealed Cabinet Interior For Easy
Cleaning

Stainless Steel Evaporator Cover

Accessories

Top Shelf - White	808500101
Deep Shelf - White	808497401
Trivet - White	297471401
Shelf Support Clips (4 Required)	297121900

Specifications

Total Capacity (Cu. Ft.)	18.4
Power Supply Connection Location	Right Bottom Rear
Voltage Rating	115V
Shipping Weight (Approx.)	263 Lbs.

ENERGY STAR®



Available in:



Stainless/Black
(B)

*Stainless Steel and Glass Door/
Black Cabinet.*