

Glass Door Merchandiser

FCGM181RQ B

18.4 Cu. Ft. Commercial,
Food Service Grade



Signature Features

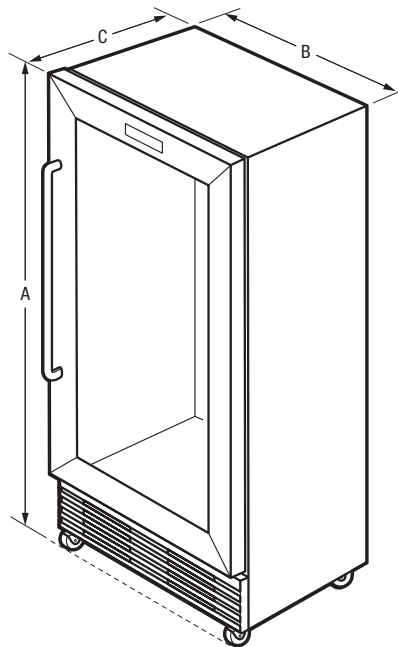
Dual-Pane, Argon Gas-Filled
Glass Display Door

Dynamic Condenser Improves
Performance In Higher
Temperature Environments

Heavy-Duty Cooling System,
NSF®-Certified Performance

Heavy-Duty, Locking Casters

Temperature Range
32 to 44 Degrees Fahrenheit



Product Dimensions

| | |
|---|----------|
| A - Height (Including Hinges & Casters) | 74-5/8" |
| B - Width | 32" |
| C - Depth (Including Door) | 26-5/16" |
| Depth with Door Opened 90° | 57" |

More Easy-To-Use Features

Heavy-Duty, NSF®-Certified
White Wire Shelves

NSF®-Certified For Food Service
Applications

NSF®-Certified Interior Lighting
System

NSF®-Certified Stainless Steel
Handle

NSF®-Certified Temperature Gauge

Sealed Cabinet Interior For Easy
Cleaning

Stainless Steel Evaporator Cover

Accessories

| | |
|---------------------|---------------------------|
| Top Shelf - White | 808500101 |
| Deep Shelf - White | 808497401 |
| Trivet - White | 297471401 |
| Shelf Support Clips | 297121900 (4 Required) |

Specifications

| | |
|-------------------------------------|----------------------|
| Total Capacity (Cu. Ft.) | 18.4 |
| Power Supply Connection Location | Right Bottom Rear |
| Voltage Rating | 115V |
| Shipping Weight (Approx.) | 263 Lbs. |

ENERGY STAR®



Available in:



Stainless/Black
(B)

**Stainless Steel and Glass Door/
Black Cabinet.*