



# Freestanding Range

FPEF4085K F

40" Electric



### Product Dimensions

Height (Max.)	48-1/8"
Width	40-1/8"
Depth (Including Handle)	28-1/2"

### More Easy-To-Use Features

**One-Touch Keep Warm Setting**  
Just one touch of a button keeps food warm until everything—and everyone—is ready.

**Smudge-Proof Stainless Steel**  
Protective coating reduces fingerprints and smudges so it's easy to clean.

**Delay Start**  
Set your oven to begin cooking on your schedule. It can be programmed from 1 to 24 hours.

**Effortless™ Convection**  
Takes the guesswork out of convection cooking—our oven does the converting for you.

**"My Favorite" Setting**  
Easily program your most used setting with the touch of a button.

**SpaceWise® Expandable Elements**  
Flexible elements expand to your cooking needs.

**SpaceWise® Bridge Element**  
A flexible element lets you combine two elements into one to fit larger cookware.

**Even Baking Technology**  
Our latest technology ensures even baking every time.

Sabbath Mode (Star-K® Certified)

Available in:



Stainless  
(F)

### Signature Features



#### SpaceWise® Side Oven

This range features an extra 1.7 cu. ft. SpaceWise® side oven that gives you more space to cook multiple dishes at the same time.



#### True Convection

Multi-rack baking is faster and more even with True Convection.



#### Pro-Select® Controls

Precise control at your fingertips.

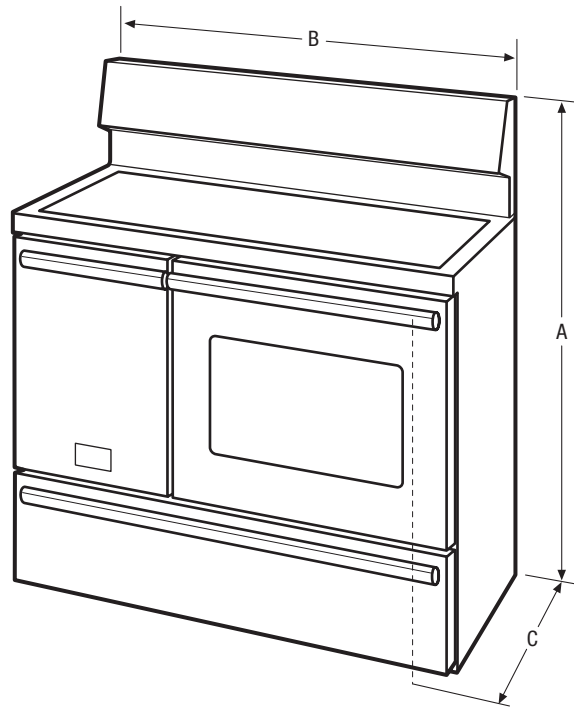


#### Keep Warm Zone

Keep food warm until everything—and everyone—is ready.

Elements	Size	Watts
Right Front	6"/8" Expandable	1,000/2,000
Right Rear	6"	1,200
Left Front	7"	1,800
Left Rear	7"	1,800
Left Bridge	SpaceWise® Bridge	700
Center	Keep Warm Zone	100

Features	
Oven Control/Timing System	Pro-Select® Controls (Main)
Surface Type	Black Ceramic Glass
Window	Extra-Large with Pro-Tint Finish
Exterior Door Finish	Smudge-Proof Stainless Steel
Handle Design	Stainless Steel
Exterior Finish (Side Panels)	Black
Convection System	True Convection (Main)
Oven Cleaning System	Self Clean (Main)
Drawer Functionality	Storage
Auxiliary Oven	SpaceWise® Side Oven
Oven Controls	
Bake/Broil	Yes/Low and High
Effortless™ Convection Conversion	Yes (Main)
Convection Bake/Broil/Roast	Yes/No/Yes (Main)
Quick Bake Convection	
PowerPlus® Preheat	
My Favorite	Yes
Chicken Nugget Button	
Pizza Button	
Keep Warm	Yes
Add-a-Minute	
Delay Bake	Yes
Self Clean	Yes
Rapid Clean Option	Yes
Delay Clean	Yes
Kitchen Timer/ Timed Cook Option	Yes/Yes
Auto Oven Shut-Off	6 Hours
Oven Lock-Out	Yes
Lower Drawer Control	
Auxiliary Oven Control	Mechanical
Cooktop Features	
Right Front Element (Watts)	SpaceWise® Expandable 6" / 8" - 1,000/2,000
Right Rear Element (Watts)	6" - 1,200
Left Front Element (Watts)	7" - 1,800
Left Rear Element (Watts)	7" - 1,800
Left Bridge Element (Watts)	SpaceWise® Bridge - 700
Center Element (Watts)	Keep Warm Zone - 100
Oven Features	
Main/Auxiliary Capacity (Cu.Ft.)	3.7/1.7
Main/Auxiliary Oven Light	2/1
Hidden Bake Element	
Rack Configuration	3 Heavy Duty
Baking System	Even Baking Technology
Broiling System	Vari-Broil™ Hi/Lo
Main Bake/Broil Elements (Watts)	3,000/2,750
Aux. Bake/Broil Elements (Watts)	1,500/1,500
Auxiliary Oven Racks	1 Standard
Certifications	
Sabbath Mode (Star-K® Cert.)	Yes
Specifications	
Main Oven Interior (H x W x D)	15-3/4" x 22-5/8" x 17-3/4"
Auxiliary Oven Interior (H x W x D)	16" x 9-9/16" x 19-1/2"
Power Supply Connection Location	Middle Bottom Rear
Voltage Rating	240V / 208V / 60 Hz
Connected Load (kW Rating) @ 240/208 Volts	12.8/9.6
Amps @ 240/208 Volts	53.0/46.0
Minimum Circuit Required (Amps)	40
Shipping Weight (Approx.)	235 Lbs.



NOTE: For planning purposes only. Always consult local and national electric codes. Refer to Product Installation Guide for detailed installation instructions on the web at [frigidaire.com](http://frigidaire.com).



Product Dimensions	
A - Height (Max.)	48-1/8"
B - Width	40-1/8"
C - Depth (Including Handle)	28-1/2"
Depth with Door Open 90°	44-5/8"

Cutout Dimensions	
Height (Standard)	36"
Width (Min.)	40-1/4"
Depth (Min.)	24"

Accessories information available on the web at [frigidaire.com](http://frigidaire.com)

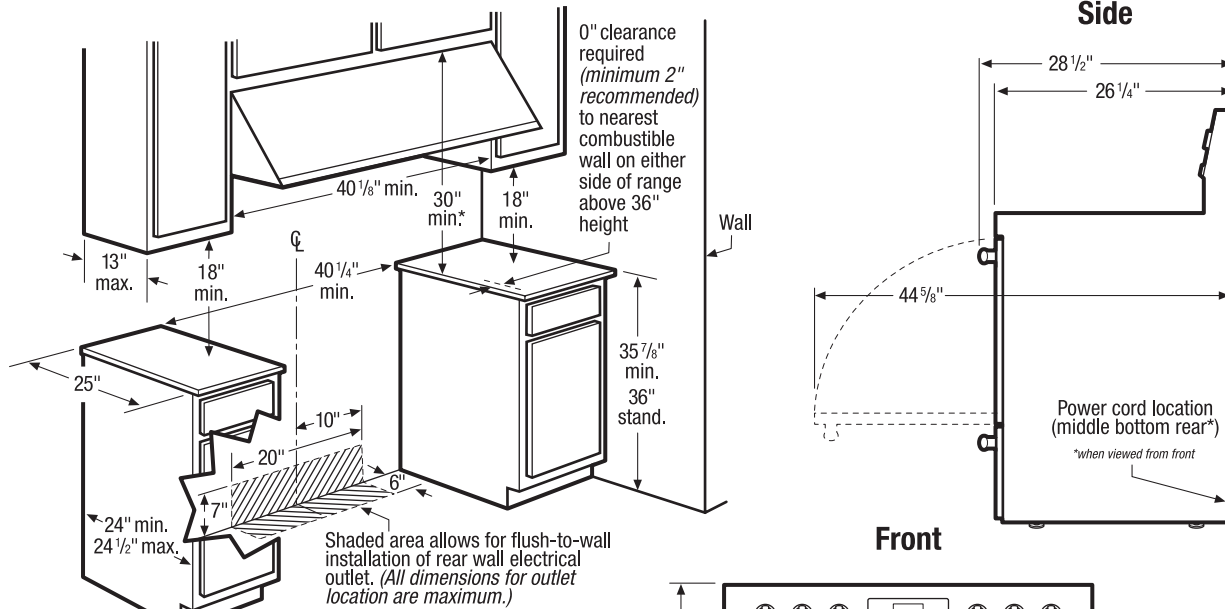
**FRIGIDAIRE**

USA • 10200 David Taylor Drive • Charlotte, NC 28262 • 1-800-FRIGIDAIRE • [frigidaire.com](http://frigidaire.com)  
CANADA • 5855 Terry Fox Way • Mississauga, ON L5V 3E4 • 1-800-265-8352 • [frigidaire.ca](http://frigidaire.ca)

FPEF4085K 10/11

© 2011 Electrolux Home Products, Inc.

Specifications subject to change.



**\*Note:** 30" minimum clearance between top of cooking surface and bottom of unprotected wood or metal overhead cabinet; or 24" minimum clearance when bottom of wood or metal overhead cabinet is protected by not less than 1/4" flame-retardant millboard covered with not less than No. 28 MSG sheet steel, 0.015" stainless steel, 0.024" aluminum or 0.020" copper. 0" clearance is minimum for rear of range. Follow all dimension requirements provided above to prevent property damage, potential fire hazard, and incorrect countertop and cabinet cuts.

**Freestanding Range Specifications**

- Product Shipping Weight (approx.) - 235 Lbs.
- Single phase 3- or 4-wire cable, 120/240 or 120/208 Volt, 60 Hertz, fused on both sides of line with ground. (If local code permits, range may be connected by hard-wiring or by means of power supply cord kit.)
- Connected Load (kW Rating) @ 240/208 Volts = 12.8/9.6 kW
- Amps @ 240/208 Volts = 53.0/46.0 Amps
- Recommended Circuit Breaker - 50 Amps (40 Amps minimum)
- Always consult local and national electric codes.
- Make sure wall coverings around range can withstand heat generated by range.
- Linoleum or any other synthetic floor covering located beneath range, must be capable of withstanding minimum heat of 90°F above room temperature without shrinking, warping or discoloring. Insulating pad or 1/4"-thick plywood required between range and a carpeted floor.
- Absolute minimum horizontal distance between overhead cabinets installed to either side of appliance must be no less than maximum width of appliance.

- Allow 24" minimum clearance between rangetop and bottom of cabinet when bottom of wood or metal cabinet is protected by not less than 1/4" flame-retardant millboard covered with not less than No. 28 MSG sheet steel, 0.015" stainless steel, 0.024" aluminum or 0.020" copper. Allow 30" minimum clearance when cabinet is unprotected.
- To reduce risk of fire when using overhead cabinetry, install range hood that projects horizontally a recommended minimum of 5" beyond bottom of cabinets.
- 0" clearance required (minimum 2" recommended) from edge of rangetop to nearest combustible wall on either side of range above 36" height.
- Range can be installed flush to wall with 0" minimum rear clearance.
- For installation against left side wall that extends to or beyond range's side panel, allow 2-3/4" minimum clearance to allow auxiliary oven door to open.
- Follow all dimension requirements provided to prevent property damage, potential fire hazard, and incorrect countertop and cabinet cuts.

**Note:** For planning purposes only. Refer to Product Installation Guide on the web at [frigidaire.com](http://frigidaire.com) for detailed instructions.



Use these dimensions and clearance instructions for planning purposes only. For detailed installation instructions, refer to installation guide, packed with product, or on the web at [frigidaire.com](http://frigidaire.com).



When installing appliances adjacent to each other, 20" minimum distance between each appliance required.

When installing built-in cooking appliances in combination, 2" minimum visible gap between appliance faceplates required.



When installing side-by-side refrigerator adjacent to wall, cabinet or another appliance that extends beyond front edge of unit, 20" minimum clearance recommended to allow for optimum 120° to 180° door swing, providing complete drawer/crisper access and removal.

When installing appliance with sliding drawer, swinging or drop-down door directly across from obstructions, provide sufficient clearance for drawer extension or door swings.



When installing appliance with sliding drawer or drop-down door directly across from obstructions, provide sufficient clearance for drawer extension or door swing.

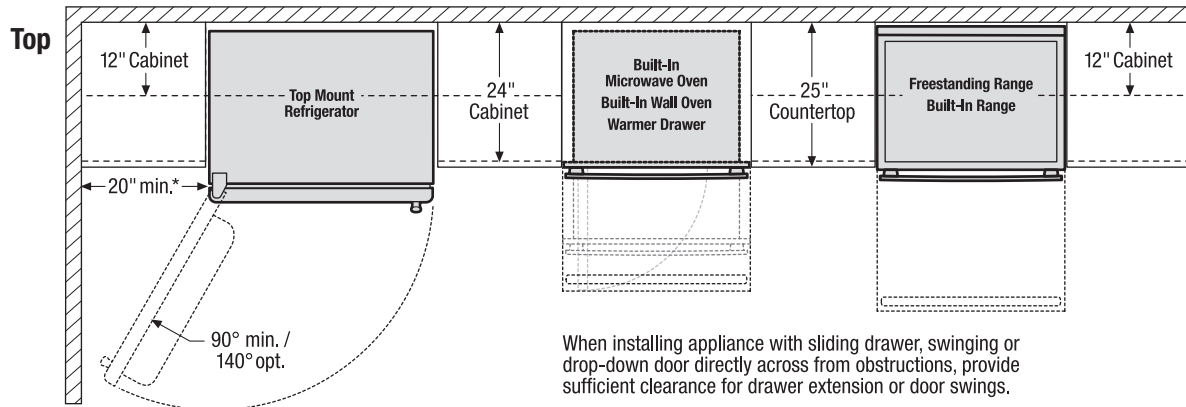
When installing appliance with sliding drawer or drop-down door adjacent to wall, cabinet, or other obstruction that extends beyond front edge of appliance, allow 2" minimum clearance between drawer or door and obstruction.

Use these dimensions and clearance instructions for planning purposes only. For detailed installation instructions, refer to installation guide, packed with product, or on the web at frigidaire.com.



When installing appliances adjacent to each other, 20" minimum distance between each appliance required.

When installing built-in cooking appliances in combination, 2" minimum visible gap between appliance faceplates required.



When installing appliance with sliding drawer, swinging or drop-down door directly across from obstructions, provide sufficient clearance for drawer extension or door swings.

\*When installing refrigerator adjacent to wall, cabinet or other appliance that extends beyond front edge of unit, 20" minimum clearance recommended to allow for optimum 140° door swing, providing complete crisper access and removal. (Absolute 3" minimum clearance will ONLY allow for 90° door swing which will provide limited crisper access with restricted removal.)



When installing appliance with sliding drawer or drop-down door directly across from obstructions, provide sufficient clearance for drawer extension or door swing.

