



Single Wall Ovens

FEB24S5A S/B

24" Electric



Product Dimensions

| | |
|--------|---------|
| Height | 30-3/4" |
| Width | 23-7/8" |
| Depth | 25-3/8" |

More Easy-To-Use Features

Large Window

Our large oven window lets you easily see what's inside.

Bright Oven Lighting

Our bright lighting makes it easy to see what's inside.

Delay Bake

Timer Function

Timed Cook Option

Auto Shut-Off

As an extra safety measure, the oven will automatically shut off after 12 hours.

Available in:



White
(S)



Black
(B)

Signature Features

Ready-Select® Controls

Easily select options or control cooking temperature with our easy-to-use controls.

Even Baking Technology

Our latest technology ensures even baking every time.

Self-Cleaning

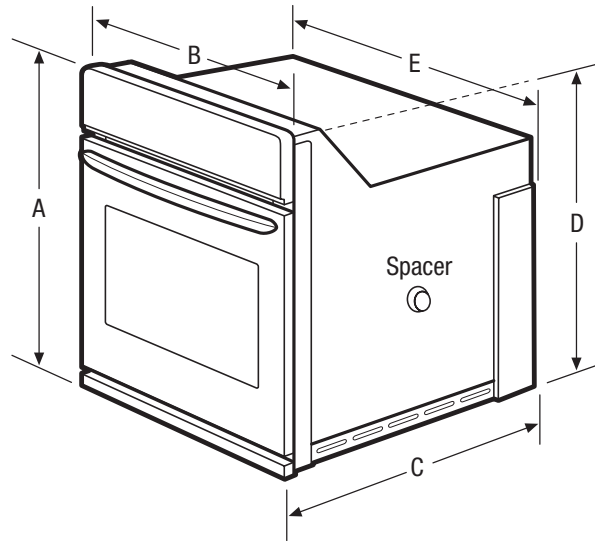
Ovens clean themselves—so you don't have to.

Vari-Broil™ Option

Allows you to choose between two heat levels.

| Features | |
|---|----------------------------|
| Oven Control/Timing System | Ready-Select® |
| Window | Large |
| Exterior Door Finish | Color-Coordinated |
| Handle Design | Color-Coordinated |
| Oven Cleaning System | Self Clean |
| Oven Controls | |
| Bake/Broil | Yes/ Variable (Hi - Lo) |
| Convection Conversion | |
| Convection Bake/Broil/Roast | |
| Quick Bake Convection | |
| PowerPlus™/Quick Preheat | |
| My Favorite | |
| Chicken Nugget Button | |
| Pizza Button | |
| Keep Warm | |
| Add-a-Minute | |
| Delay Bake | Yes |
| Self-Clean | Yes |
| Rapid/Quick Clean Option | |
| Delay Clean | |
| Kitchen Timer | Yes |
| Timed Cook Option | Yes |
| Control Lock | |
| Auto Oven Shutoff | 12 Hours |
| Oven Lock-Out | |
| Oven Features | |
| Capacity (Cu. Ft.) | 2.9 |
| Convection System | |
| Oven Light | 1 |
| Hidden Bake Element | |
| Rack Configuration | 2 Handle Racks |
| Baking System | Even Baking Technology |
| Broiling System | Vari-Broil™ |
| Bake/Broil Element (Watts) | 2,100/3,400 |
| Certifications | |
| A.D.A. Compliant | |
| Sabbath Mode (Star-K® Certified) | |
| Specifications | |
| Oven Interior (H x W x D) | 16" x 17" x 18-1/2" |
| Power Supply Connection Location | Left Bottom Rear |
| Voltage Rating | 240V/208V/60Hz |
| Connected Load (kW Rating) @ 240/208 Volts ¹ | 3.4/2.6 |
| Amps @ 240/208 Volts | 14.5/12.5 |
| Minimum Circuit Required (Amps) | 20 |
| Approved for Under-Counter Installation | |
| Shipping Weight (Approx.) | 130 Lbs. |

¹Single phase 3- or 4-wire cable, 120/240 or 120/208 Volt, 60 Hertz AC only electrical supply with ground required on separate circuit fused on both sides of line.

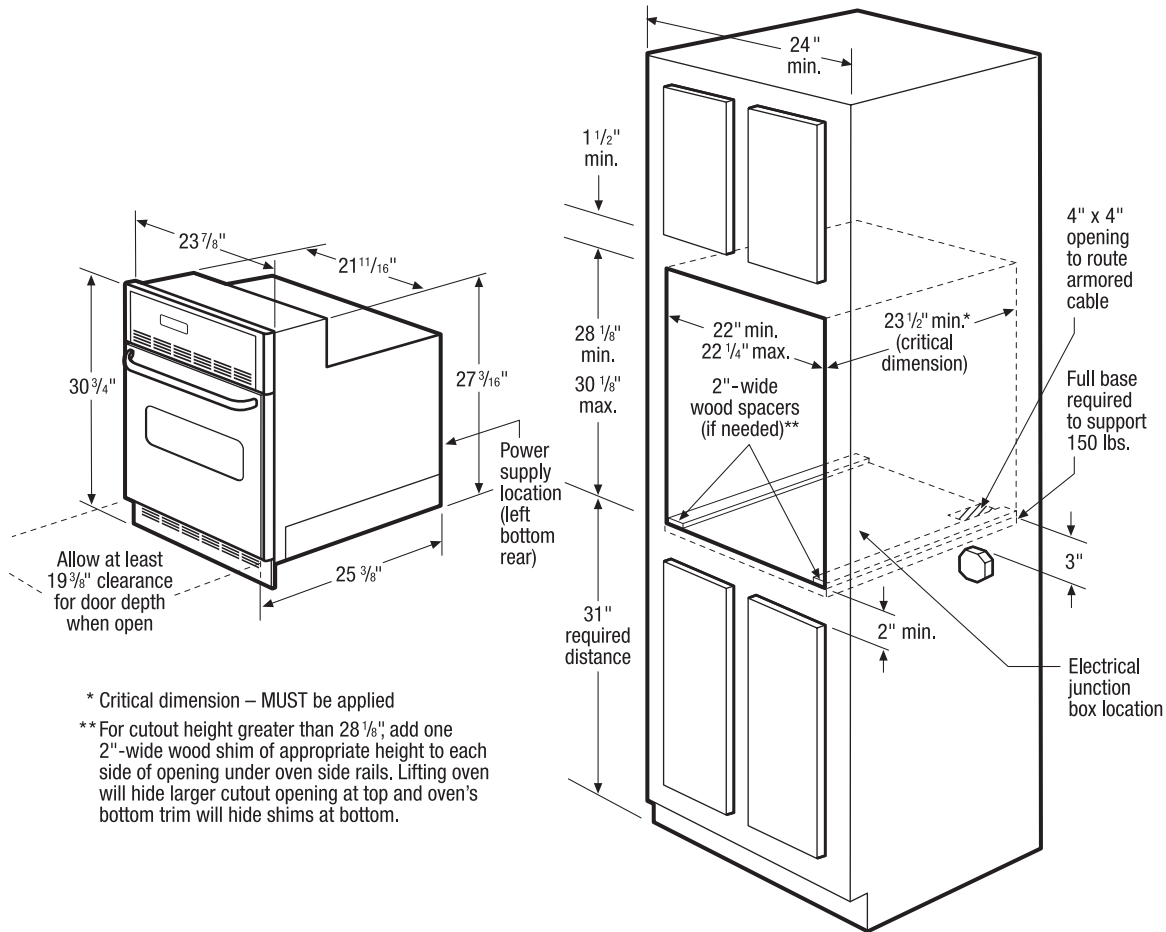


NOTE: For planning purposes only. Always consult local and national electric codes. Refer to Product Installation Guide for detailed installation instructions on the web at frigidaire.com.



| Product Dimensions | | Cutout Dimensions | |
|--------------------------|-----------|-------------------|---------|
| A - Height | 30-3/4" | Height (Min.) | 28-1/8" |
| B - Width | 23-7/8" | Height (Max.) | 30-1/8" |
| C - Depth | 25-3/8" | Width (Min.) | 22" |
| D - Height (Wrapper) | 28-3/32" | Width (Max.) | 22-1/4" |
| E - Width (Wrapper) | 21-11/16" | Depth (Min.) | 23-1/2" |
| Depth with Door Open 90° | 43-3/4" | | |

Accessories information available on the web at frigidaire.com



Single Wall Oven Specifications

- Product Shipping Weight (approx.) - 130 Lbs.
- Single phase 3- or 4-wire cable, 120/240 or 120/208 Volt, 60 Hertz AC only electrical supply with ground required on separate circuit fused on both sides of line.
- Connected Load (kW Rating) @ 240/208 Volts = 3.4/2.6kW
- Amps @ 240/208 Volts = 14.5/12.5 Amps
- Recommended Circuit Breaker - 20 Amps
- Always consult local and national electric codes.
- Minimum 19-3/8" clearance for oven door depth when open.
- Minimum required distance from floor is 31".
- Minimum 23-1/2" deep cutout dimension is critical for proper installation, to ensure that oven's faceplate will fit flush against cabinet front.
- To adapt oven to fit cutout height greater than 28-1/8", add one 2"-wide wood shim of appropriate height to each side of opening under oven side rails. Lifting oven will hide larger cutout opening at top and oven's bottom trim will hide shims at bottom.

- Full oven base of solid plywood or similar material required, capable of supporting 150 Lbs.
- Base must be level and cabinet front must be square.
- Single Wall Oven is NOT approved to be used in stackable or side-by-side installation.
- Single Wall Oven is NOT approved to be used in under-counter installation.

Note: For planning purposes only. Refer to Product Installation Guide on the web at frigidaire.com for detailed instructions.

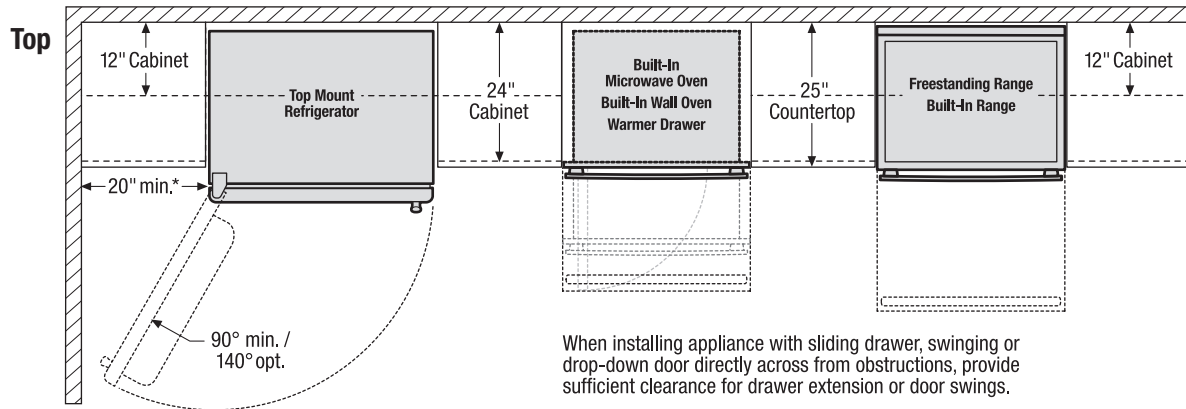


Use these dimensions and clearance instructions for planning purposes only. For detailed installation instructions, refer to installation guide, packed with product, or on the web at frigidaire.com.



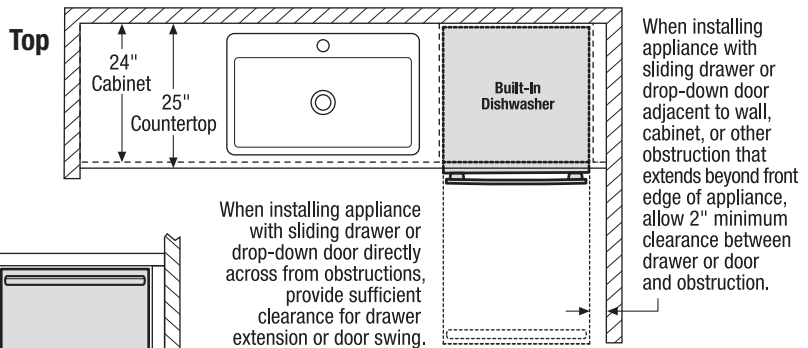
When installing appliances adjacent to each other, 20" minimum distance between each appliance required.

When installing built-in cooking appliances in combination, 2" minimum visible gap between appliance faceplates required.



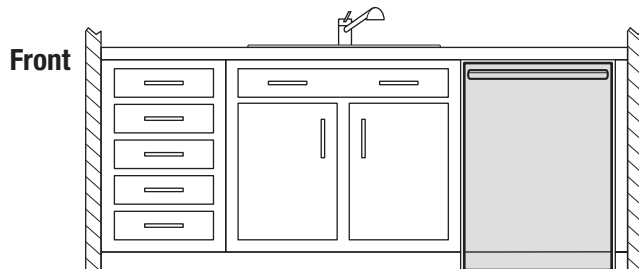
When installing appliance with sliding drawer, swinging or drop-down door directly across from obstructions, provide sufficient clearance for drawer extension or door swings.

*When installing refrigerator adjacent to wall, cabinet or other appliance that extends beyond front edge of unit, 20" minimum clearance recommended to allow for optimum 140° door swing, providing complete crisper access and removal. (Absolute 3" minimum clearance will ONLY allow for 90° door swing which will provide limited crisper access with restricted removal.)

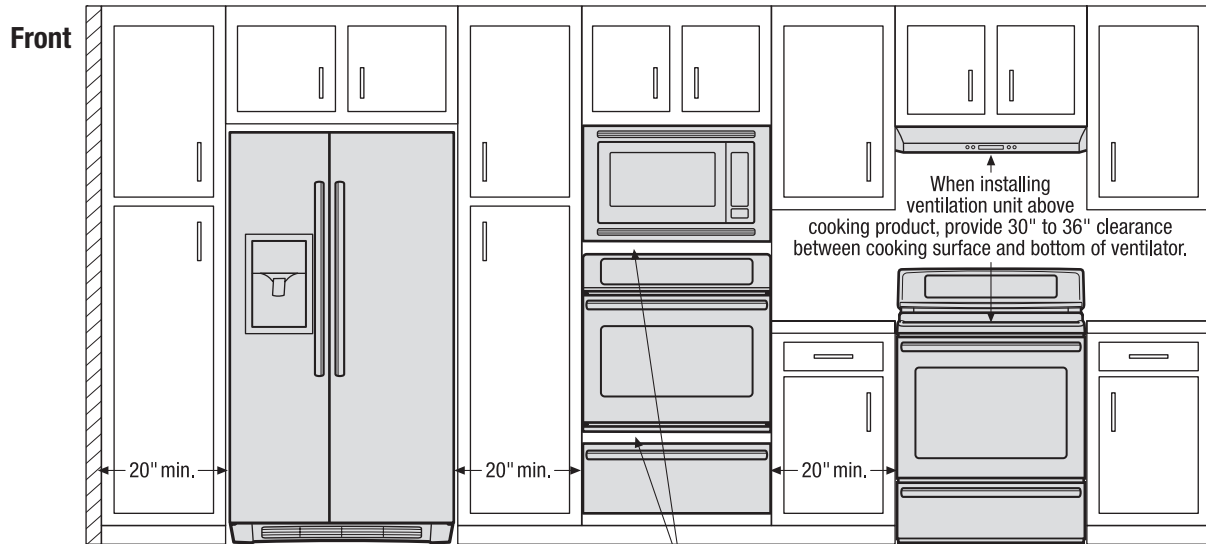


When installing appliance with sliding drawer or drop-down door directly across from obstructions, provide sufficient clearance for drawer extension or door swing.

When installing appliance with sliding drawer or drop-down door adjacent to wall, cabinet, or other obstruction that extends beyond front edge of appliance, allow 2" minimum clearance between drawer or door and obstruction.

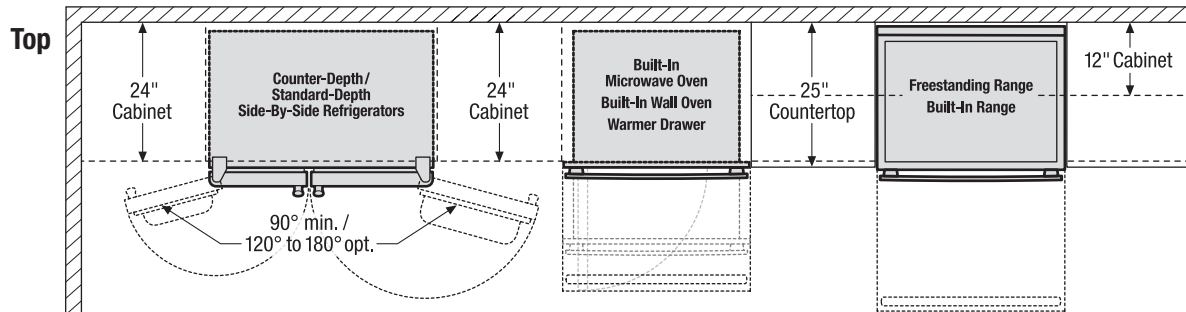


Use these dimensions and clearance instructions for planning purposes only. For detailed installation instructions, refer to installation guide, packed with product, or on the web at frigidaire.com.



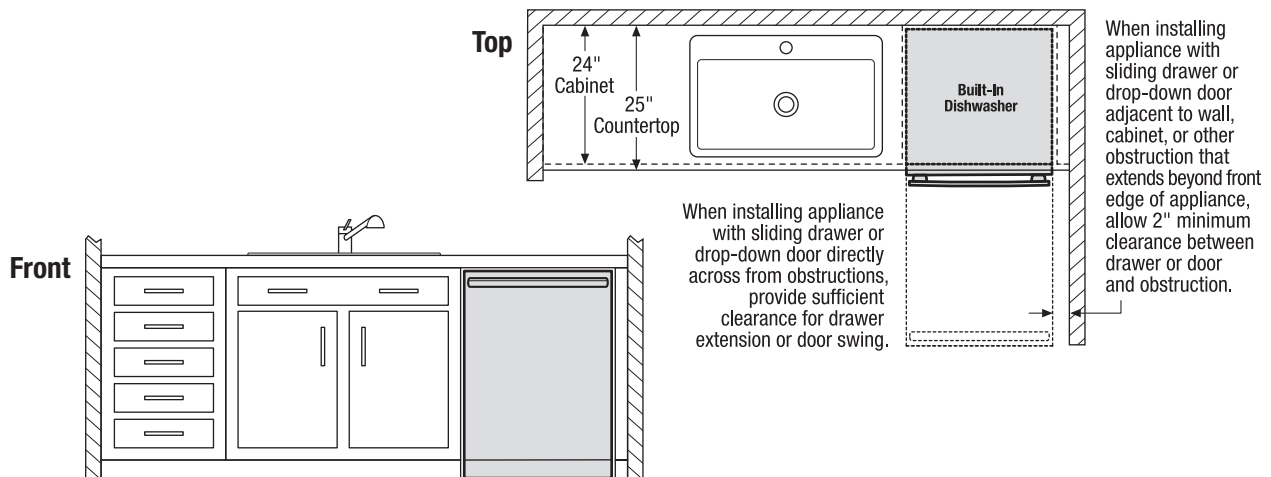
When installing appliances adjacent to each other, 20" minimum distance between each appliance required.

When installing built-in cooking appliances in combination, 2" minimum visible gap between appliance faceplates required.



When installing side-by-side refrigerator adjacent to wall, cabinet or another appliance that extends beyond front edge of unit, 20" minimum clearance recommended to allow for optimum 120° to 180° door swing, providing complete drawer/crisper access and removal.

When installing appliance with sliding drawer, swinging or drop-down door directly across from obstructions, provide sufficient clearance for drawer extension or door swings.



When installing appliance with sliding drawer or drop-down door directly across from obstructions, provide sufficient clearance for drawer extension or door swing.

When installing appliance with sliding drawer or drop-down door adjacent to wall, cabinet, or other obstruction that extends beyond front edge of appliance, allow 2" minimum clearance between drawer or door and obstruction.