



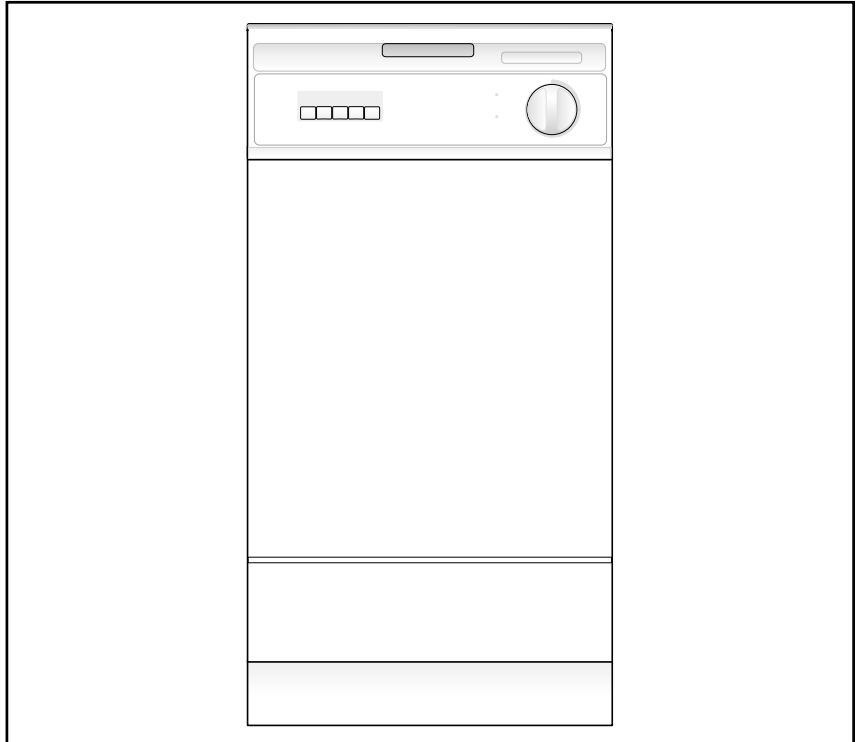
The Service Side of Sears™

REPAIR  
PARTS  
LIST

587.14432200  
587.14439200

To Call Toll Free  
For Parts:  
1-800-366-PART  
(1-800-366-7278)

For Service:  
1-800-4-MY-HOME®  
(1-800-469-4663)



# SEARS

BUILT-IN

DISHWASHER

On all orders or correspondence avoid delays and misunderstandings by always giving the complete model number shown on the right hand side of the front tub flange, directly behind the door of the dishwasher.

All repair parts listed are available for immediate purchase or special order when you visit your nearest Sears Service Center, or the Service Department at most Sears stores. To order parts by phone, call the toll free parts number listed to the left.

When requesting service or ordering parts, always provide the following information:

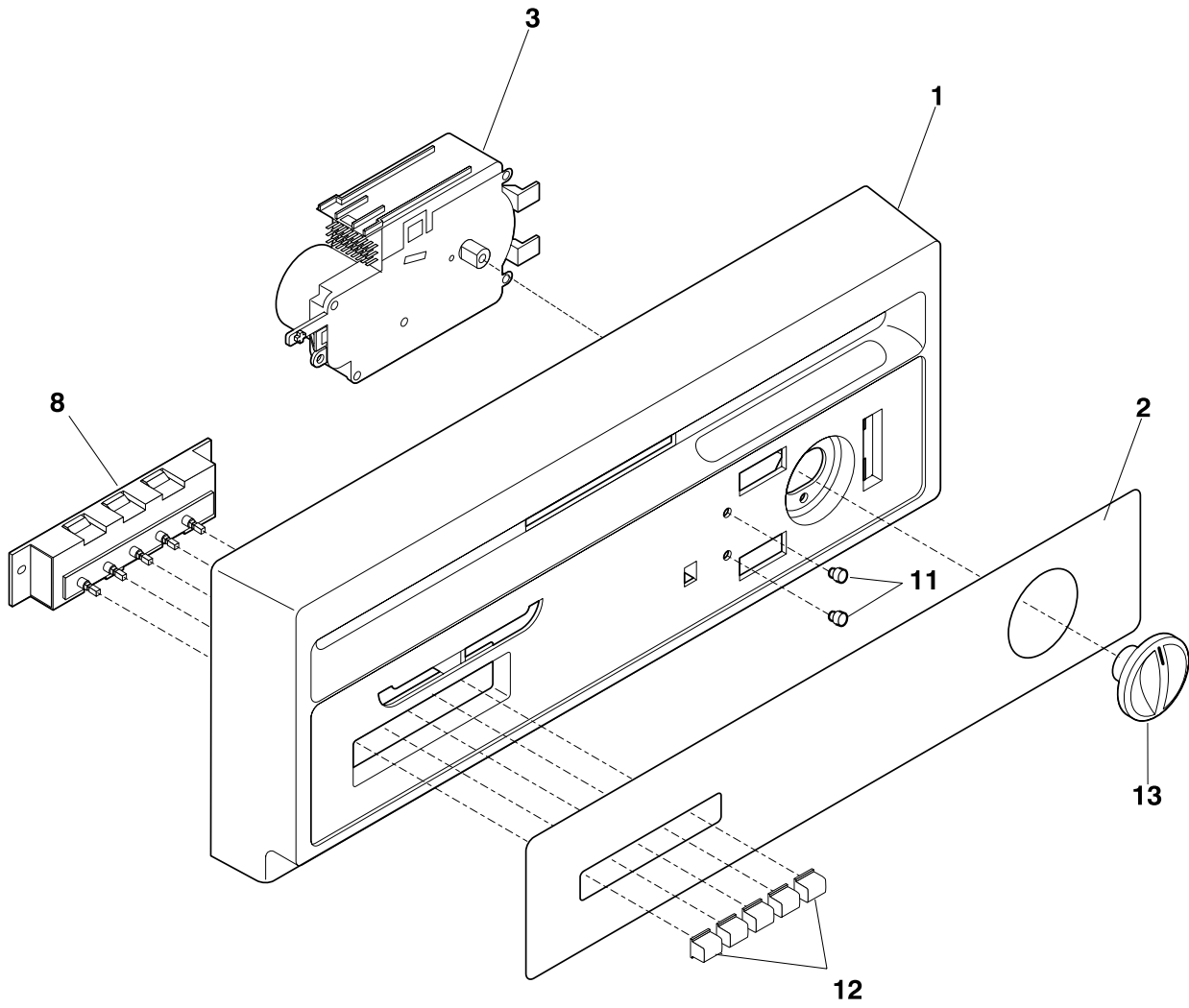
|              |                  |
|--------------|------------------|
| Product Type | Part Number      |
| Model Number | Part Description |

587.1443

CONTROL PANEL

CAUTION: Use the Kenmore part number to order part, not the illustration number.

---



## CONTROL PANEL

CAUTION: Use the Kenmore part number to order part, not the illustration number.

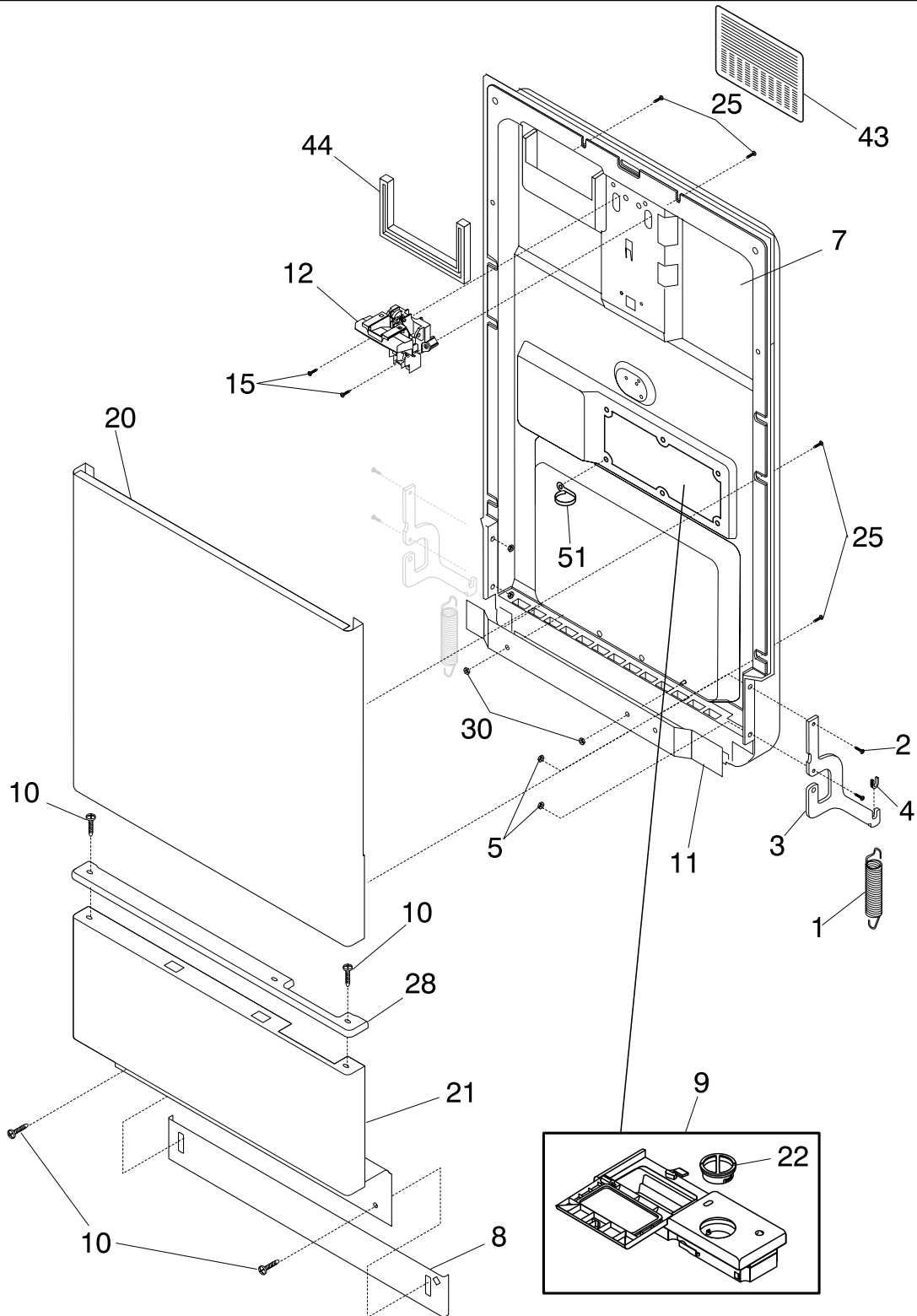
A = 587.1443 (587.14432200)  
B = 587.1443 (587.14439200)

| POS. NO | PART NO    |     | DESCRIPTION                 |
|---------|------------|-----|-----------------------------|
| 1       | 154357602  | A - | Panel,control ,white        |
| 1       | 154357601  | - B | Panel,control ,black        |
| 2       | 154435001  | A - | Insert,control panel ,white |
| 2       | 154435003  | - B | Insert,control panel ,black |
| 3 #     | 154432301  | A B | Timer                       |
| 8 #     | 154220401  | A B | Switch,selector ,5 button   |
| 8*      | 154242201  | A B | Shield,switch               |
| 8*      | 5303318719 | A B | Screw,mtg.                  |
| 11      | 5304428149 | A B | Lens,light                  |
| 12      | 154236502  | A - | Pushbutton,white            |
| 12      | 154236501  | - B | Pushbutton,black            |
| 13      | 154239504  | A - | Knob,timer ,white           |
| 13      | 154236401  | - B | Knob,timer ,black           |
| * #     | 154434401  | A B | Wiring Harness              |
| *       | 154416601  | A - | Shield,wire ,white          |
| *       | 154416603  | - B | Shield,wire ,black          |
| *       | 5995374385 | A B | Parts List                  |
| *       | 154424703  | A B | Energy guide label          |
| *       | 154435101  | A B | Owners Manual               |
| *       | 154435201  | A B | Instructions,installation   |
| *       | 154435301  | A B | Service Data Sheet          |

587.1443

DOOR

CAUTION: Use the Kenmore part number to order part, not the illustration number.



587.1443

DOOR

CAUTION: Use the Kenmore part number to order part, not the illustration number.

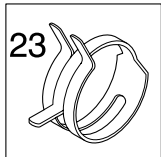
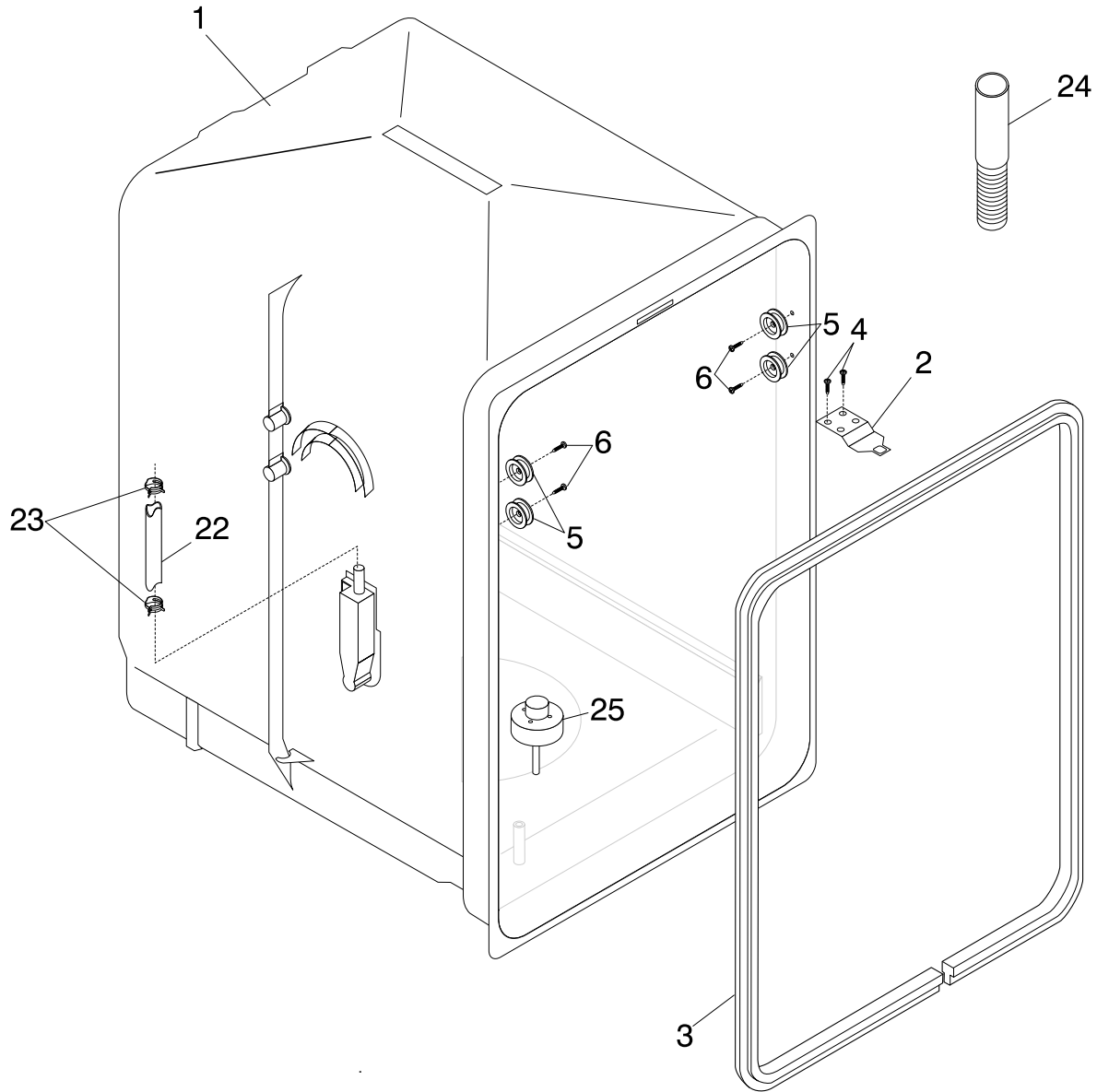
A = 587.1443 (587.14432200)  
B = 587.1443 (587.14439200)

| POS. NO | PART NO    |     | DESCRIPTION                           |
|---------|------------|-----|---------------------------------------|
| 1       | 154237401  | A B | Spring,door ,(2)                      |
| 2       | 154093301  | A B | Screw,arm assy ,(4)                   |
| 3       | 5303270031 | A B | Arm Assy,RH & LH                      |
| 3*      | 154221401  | A B | Cover,arm assy                        |
| 3*      | 5303298513 | A B | Pin,arm assy                          |
| 4       | 5300805884 | A B | Pad,door spring                       |
| 5       | 154079601  | A B | Nut,arm assy ,(4)                     |
| 7       | 154352201  | A B | Door,inner assy                       |
| 8       | 154411701  | A - | Toeplate,adjustable ,white            |
| 8       | 154411703  | - B | Toeplate,adjustable ,black            |
| 9       | 154230101  | A B | Dispenser,det/rinse aid ,includes #22 |
| 9*      | 154294701  | A B | Screw,#7 plas .375 ,(6) ,disp. assy.  |
| 10      | 154419401  | A - | Screw,access panel ,white             |
| 10      | 154419403  | - B | Screw,access panel ,black             |
| 11 #    | 154221101  | A - | Baffle,door ,white                    |
| 11 #    | 154221103  | - B | Baffle,door ,black                    |
| 12 #    | 154361201  | A - | Latch assy,white                      |
| 12 #    | 154361203  | - B | Latch assy,black                      |
| 15      | 154103702  | A B | Screw,latch mtg ,(2)                  |
| 20      | 154416101  | A - | Panel,outer door assy ,white          |
| 20      | 154416103  | - B | Panel,outer door assy ,black          |
| 21      | 154399501  | A - | Panel,access ,white                   |
| 21      | 154399503  | - B | Panel,access ,black                   |
| 22      | 154388801  | A B | Cap,Rinse aid                         |
| 28      | 154400301  | A - | Trim,access panel ,white              |
| 28      | 154400303  | - B | Trim,access panel ,black              |
| 30      | 154026601  | A B | Speednut,door baffle                  |
| 43      | 154229301  | A B | Cover,vent                            |
| 43*     | 154229401  | A B | Screw,vent cover ,(2)                 |
| 44      | 154221001  | A B | Gasket,vent cover                     |
| 51      | 154320301  | A B | Clamp,drip loop ,wire                 |
| * #     | 154227808  | A B | Thermostat,temp boost                 |
| *       | 154395501  | A B | Retainer,thermostat                   |

587.1443

TUB

CAUTION: Use the Kenmore part number to order part, not the illustration number.



587.1443

TUB

CAUTION: Use the Kenmore part number to order part, not the illustration number.

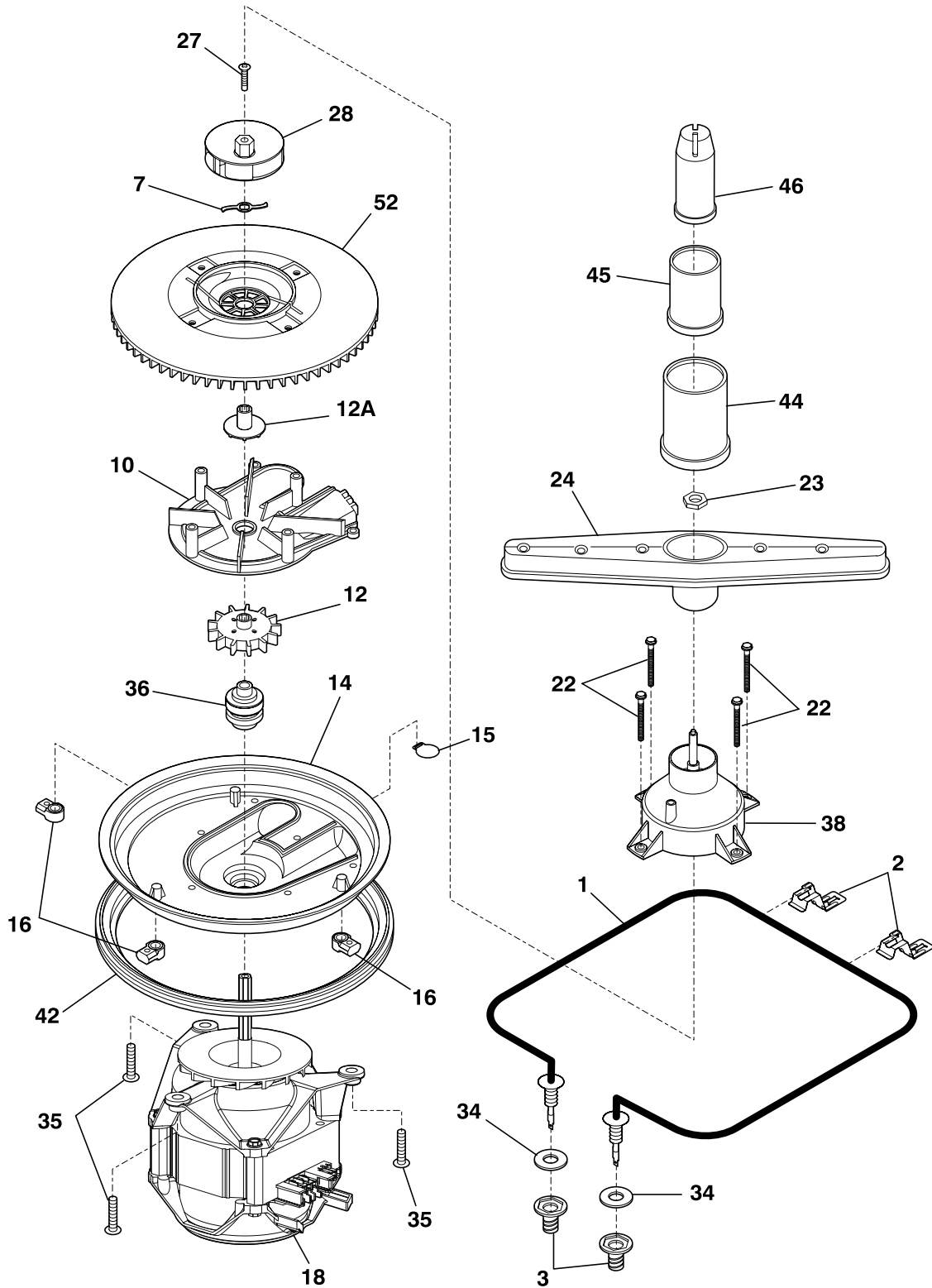
---

|                             |
|-----------------------------|
| A = 587.1443 (587.14432200) |
| B = 587.1443 (587.14439200) |

| POS. NO | PART NO    |     | DESCRIPTION                |
|---------|------------|-----|----------------------------|
| 1 #     | 154218701  | A B | Tub assy,w/gasket          |
| 2       | 154429101  | A B | Strike,door                |
| 3 #     | 154219501  | A B | Gasket,tub                 |
| 4       | 154200602  | A B | Screw,10-16 x 3/8 ,hex     |
| 5       | 154333902  | A B | Roller,tub                 |
| 6       | 5303943103 | A B | Screw,w/washer ,(8)        |
| 22      | 154239801  | A B | Tubing,water inlet         |
| 23      | 5303318539 | A B | Clamp,tubing ,(2)          |
| 24 #    | 154411001  | A B | Hose,drain                 |
| 25 #    | 154209701  | A B | Float                      |
| *       | 154238301  | A B | Insulation,tub             |
| *       | 5300807270 | A B | Screw,(2) ,countertop mtg. |

MOTOR/HEATER/SPRAY ARM

CAUTION: Use the Kenmore part number to order part, not the illustration number.



## MOTOR/HEATER/SPRAY ARM

CAUTION: Use the Kenmore part number to order part, not the illustration number.

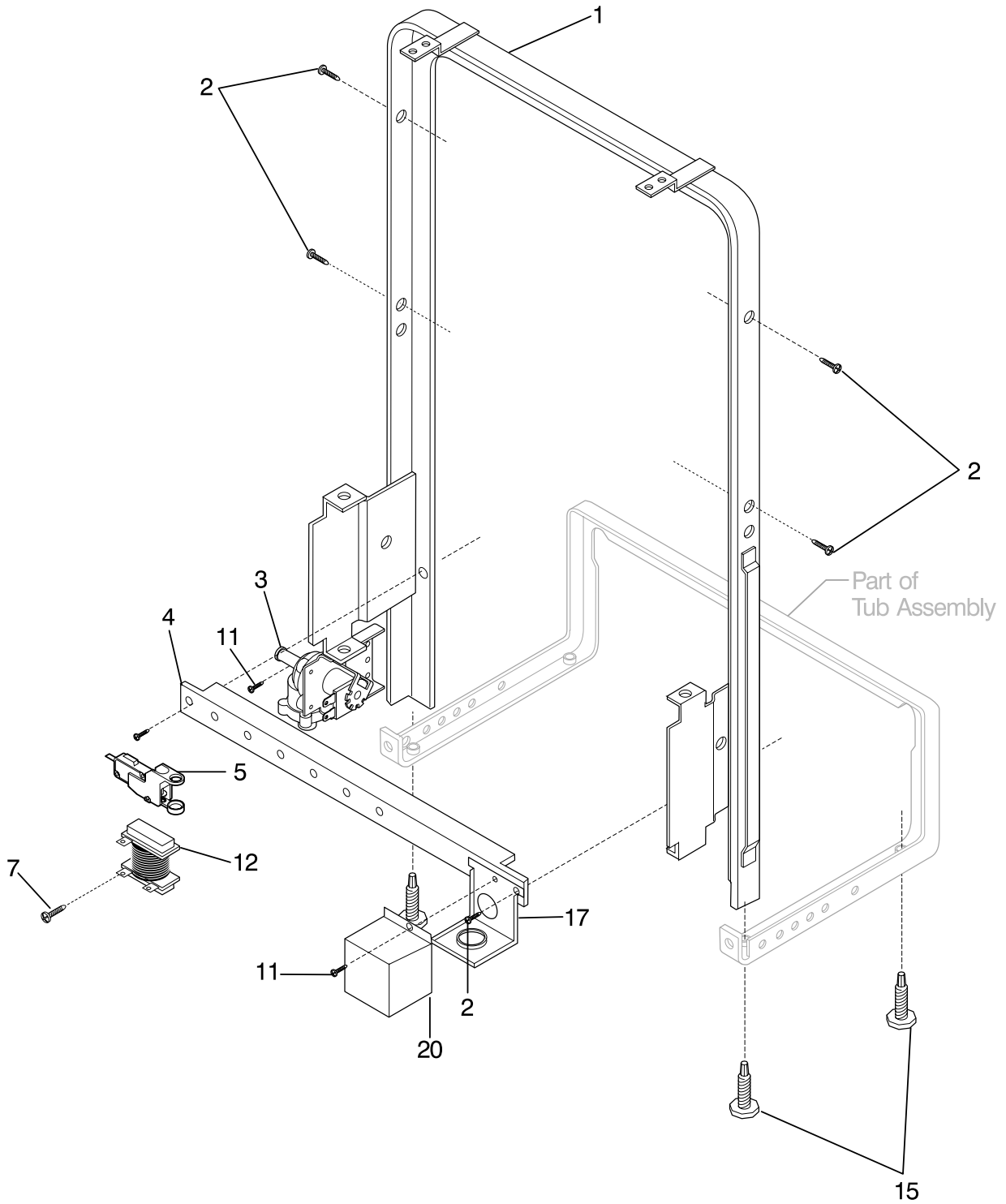
|                             |
|-----------------------------|
| A = 587.1443 (587.14432200) |
| B = 587.1443 (587.14439200) |

| POS. NO | PART NO    |     | DESCRIPTION            |
|---------|------------|-----|------------------------|
| 1 #     | 154220901  | A B | Heater                 |
| 1*      | 154289801  | A B | Shield,heater terminal |
| 2       | 154359701  | A B | Bracket,heater ,(2)    |
| 3       | 154106201  | A B | Nut,heater ,(2)        |
| 7       | 154365101  | A B | Macerator              |
| 10      | 154365302  | A B | Cover,volute           |
| 12      | 154365401  | A B | Impeller,lower drain   |
| 12A     | 154365501  | A B | Slinger,pump           |
| 14      | 154364802  | A B | Housing,pump           |
| 15 #    | 154367701  | A B | Check valve            |
| 16      | 154246502  | A B | Retainer,sump          |
| 16*     | 5304404947 | A B | Screw,retainer         |
| 18 #    | 154384301  | A B | Motor                  |
| 22      | 154200201  | A B | Screw,pump housing     |
| 23      | 154234301  | A B | Nut,spray arm          |
| 24      | 154219201  | A B | Spray arm,lower        |
| 24*     | 154232601  | A B | Shield,heat ,spray arm |
| 27      | 154377501  | A B | Screw,upper impeller   |
| 28      | 154370601  | A B | Impeller,upper         |
| 34      | 154064901  | A B | Washer,insulating      |
| 35      | 154200901  | A B | Screw,motor mtg        |
| 36      | 154387601  | A B | Sleeve & seal assy.    |
| 38      | 154367402  | A B | Diffuser               |
| 42      | 154365601  | A B | Gasket,pump            |
| 44      | 154122502  | A B | Base,tower             |
| 45      | 154122601  | A B | Middle,tower           |
| 46      | 154122701  | A B | Tip,tower              |
| 52      | 154365201  | A B | Cover,pump housing     |
| *       | 154380601  | A B | Clamp,hose ,(1)        |
| *       | 154200601  | A B | Screw,#10-16 x 3/8     |

587.1443

FRAME/WRAPPER

CAUTION: Use the Kenmore part number to order part, not the illustration number.



## FRAME/WRAPPER

CAUTION: Use the Kenmore part number to order part, not the illustration number.

---

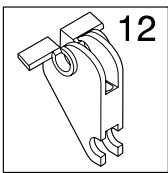
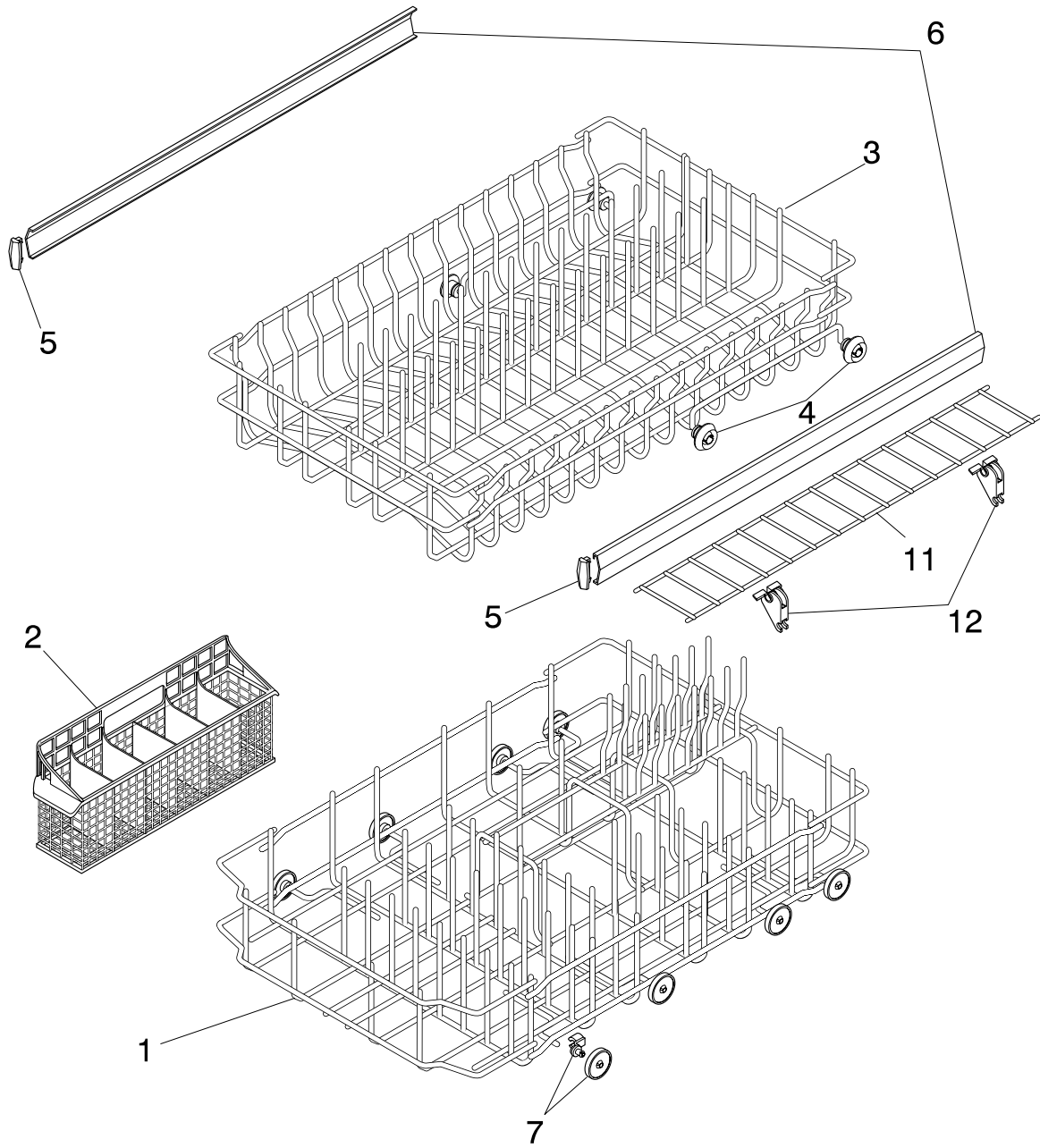
|  |
|--|
| A = 587.1443 (587.14432200)<br>B = 587.1443 (587.14439200) |
|--|

| POS. NO | PART NO    |     | DESCRIPTION                  |
|---------|------------|-----|------------------------------|
| 1       | 154218801  | A B | Front frame assy             |
| 2       | 154200601  | A B | Screw,#10-16 x 3/8           |
| 2*      | 154041001  | A B | Screw,plask #1 ,10-10 x 9/16 |
| 3 #     | 154373301  | A B | Valve,water                  |
| 4       | 154219101  | A B | Brace,front frame            |
| 5       | 154408701  | A B | Switch assy,float            |
| 7       | 5300804672 | A B | Screw,start relay            |
| 11      | 154200701  | A B | Screw,#10-32 x 3/8           |
| 12 #    | 154380001  | A B | Relay,motor start            |
| 15      | 154419301  | A B | Screw,leveling               |
| 17      | 154112901  | A B | Bracket,junction box         |
| 20      | 154128304  | A B | Cover,junction box           |
| *       | 5300807270 | A B | Screw,(2) ,countertop mtg.   |

587.1443

RACK

CAUTION: Use the Kenmore part number to order part, not the illustration number.



587.1443

RACK

CAUTION: Use the Kenmore part number to order part, not the illustration number.

---

|                             |
|-----------------------------|
| A = 587.1443 (587.14432200) |
| B = 587.1443 (587.14439200) |

| POS. NO | PART NO    |     | DESCRIPTION                     |
|---------|------------|-----|---------------------------------|
| 1       | 154239101  | A B | Rack assy,lower                 |
| 2       | 5300808994 | A B | Basket,silverware               |
| 3       | 154237502  | A B | Rack assy,upper                 |
| 4       | 5304407064 | A B | Wheel & bushing assy,upper rack |
| 5       | 5300809927 | A B | Cap,slide ,(4)                  |
| 6       | 154232701  | A B | Slide,rack ,(2)                 |
| 7       | 154174501  | A B | Wheel & bracket assy,lower rack |
| 11      | 154225203  | A B | Shelf,cup                       |
| 12      | 154352401  | A B | Bracket,cup shelf ,(4)          |

# Get it fixed, at your home or ours!

## Your Home

For repair – **in your home** – of **all** major brand appliances, lawn and garden equipment, or heating and cooling systems, **no matter who made it, no matter who sold it!**

For the replacement parts, accessories and owner's manuals that you need to do-it-yourself.

For Sears professional installation of home appliances and items like garage door openers and water heaters.

**1-800-4-MY-HOME®** (1-800-469-4663)

Call anytime, day or night (U.S.A. and Canada)

[www.sears.com](http://www.sears.com)    [www.sears.ca](http://www.sears.ca)

---

## Our Home

For repair of carry-in items like vacuums, lawn equipment, and electronics, call or go on-line for the location of your nearest

**Sears Parts & Repair Center.**

**1-800-488-1222**

Call anytime, day or night (U.S.A. only)

[www.sears.com](http://www.sears.com)

---

To purchase a protection agreement on a product serviced by Sears:

**1-800-827-6655** (U.S.A.)

**1-800-361-6665** (Canada)

---

Para pedir servicio de reparación a domicilio, y para ordenar piezas:

**1-888-SU-HOGAR<sup>SM</sup>**

(1-888-784-6427)

Au Canada pour service en français:

**1-800-LE-FOYER<sup>MC</sup>**

(1-800-533-6937)

[www.sears.ca](http://www.sears.ca)

# SEARS