



# Home Comfort

FRA10EHT2

## Through-The-Wall Air Conditioner/Heater



### Signature Features

#### Effortless™ Temperature Control

Our air conditioners maintain the preset room temperature, so you will remain comfortable at all times.

#### Remote Control

Allows you to precisely control the temperature and fan speed from across the room.

#### Ready-Select™ Controls

Easily select options with the touch of a button.

#### Effortless™ Clean Filter

Our anti-microbial filter cleans the air, removing harmful bacteria.

### Product Dimensions

Height	14-1/2"
Width	24"
Depth	20-1/2"

### More Easy-To-Use Features

#### Multi-Speed Fan

Features three different fan speeds, for more cooling flexibility.

#### Sleep Mode

Quiet operation keeps you cool without keeping you awake. Plus, Sleep Mode gradually increases room temperature after being activated.

#### Quickly Cools

#### Comfort Control Design

Easily control the direction of your cool air, wherever your unit is.

#### Effortless™ Restart

Automatically resumes operating at its previous settings when power is restored to your unit.

#### Supplemental Heat Only

Our versatile unit offers a supplemental heating capability, providing you with an additional heat source when needed.

#### Clean Filter Alert

#### Power Cord

Comes with an extra long three-prong cord that makes extension cords unnecessary.

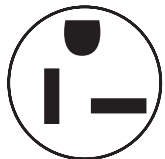
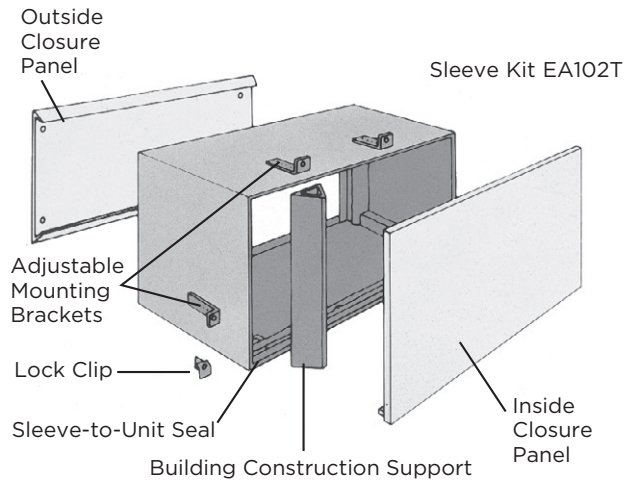
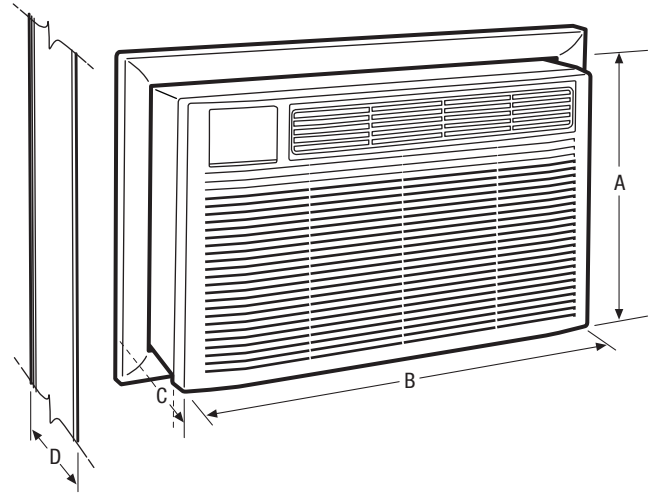
#### SpaceWise™ Adjustable Design

Optional Side Panels extend so you can adjust your unit to fit your window.

#### 24 Hour On/Off Timer

Performance	BTUs
Cool	10,000 / 9,800
Heat	10,600 / 8,600

<b>Performance</b>	
BTU (Cool)	10,000 / 9,800
BTU (Heat)	10,600 / 8,600
Dehumidification (Pints/Hour)	2.8
Cool Area (Sq. Ft.)	500
Energy Efficiency Ratio	9.4
<b>Electrical</b>	
Volts	230 / 208
Amps (Cool)	4.9 / 5.3
Amps (Heat)	15.5 / 14.2
Watts (Cool)	1,060 / 1,045
Watts (Heat)	3,450 / 2,800
Length of Power Cord	6'
Plug Type (NEMA)*	LCDI (C)
<b>Features</b>	
Electronic Controls	Ready-Select™ Controls
Fan Speeds (Cool/Fan/Heat)	3 / 3 / 3
Low Voltage Start-Up	Yes
Auto Cool Function	Yes
Energy Save	Yes
Sleep Mode	Yes
Filter Check	Yes
24 Hour On/Off Timer	Yes
Clean Air Ionizer	
Remote Control	Full-Function with Heat
Air CFM (High/Med/Low)	292 / 267 / 243
Air Direction Control	4-Way
Fresh Air/Exhaust Vent/Closed	No/No/Yes
Filter Type	Antimicrobial Mesh
Filter Access	Slide-Out
Slide-Out Chassis	
Cabinet Louvers	
Rear Grille	Yes
Window Mounting Kit	Universal Trim Kit
<b>Optional Accessories</b>	
Window Mount Kit	EA102T
Outside Grille	EA109T
<b>Certifications</b>	
Performance	AHAM
<b>Specifications</b>	
Refrigerant	R410a
Shipping Weight (Approx.)	80 Lbs.



\*Plug Type (NEMA)  
(C) 6-20P

NOTE: For planning purposes only. Always consult local and national electric codes. Refer to Product Installation Guide for detailed installation instructions on the web at [frigidaire.com](http://frigidaire.com).



Product Dimensions	
A - Height	14-1/2"
B - Width	24"
C - Depth	20-1/2"
D - Max. Wall Thickness	18"

Wall Cutout Dimensions	
Height	15-1/4"
Width	25-1/2"

Accessories information available on the web at [frigidaire.com](http://frigidaire.com)

FRIGIDAIRE

USA • 10200 David Taylor Drive • Charlotte, NC 28262 • 1-800-FRIGIDAIRE • [frigidaire.com](http://frigidaire.com)  
CANADA • 5855 Terry Fox Way • Mississauga, ON L5V 3E4 • 1-800-265-8352 • [frigidaire.ca](http://frigidaire.ca)

FRA10EHT2 07/10

© 2010 Electrolux Home Products, Inc.

Specifications subject to change. Printed in the U.S.A.