

# FRIGIDAIRE

GALLERY



## Top Mount Refrigerators

FGHT2144K F/R\*

21 Cu. Ft. Top Mount

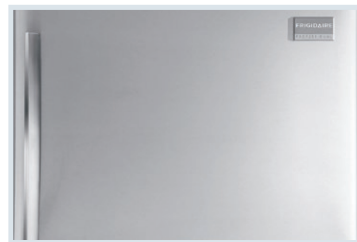


### Signature Features



#### SpaceWise™ Organization System

Our SpaceWise™ Organization system makes it easy to keep food organized and easy to find when you need it.



#### Real Stainless Steel

Real stainless steel with a protective coating that reduces fingerprints and smudges so it's easy to clean.



#### SpillSafe™ Shelves

Designed to keep spills contained, making cleanup a breeze.



#### Bright Lighting

Our bright lighting makes it easy to see what's inside.

### Performance-Driven Style

Textured Cabinet  
Quiet Pack

### SpaceWise™ Design

Refrigerator -

- 2 Half-Width Fixed SpillSafe™ Glass Shelves
- Full-Width Fixed SpillSafe™ Glass Shelf
- Clear Deli-Drawer
- 2 Clear Crispers with Adjustable Humidity Controls
- 4 Adjustable Clear Gallon Door Bins
- Fixed White Door Bin

Freezer -

- Full-Width Fixed Wire Shelf
- 2 White Fixed Door Bins
- Light
- Ice Maker-Ready



ENERGY STAR®

### Capacities

Total Capacity	20.61 Cu. Ft.
Refrigerator Volume	15.35 Cu. Ft.
Freezer Volume	5.26 Cu. Ft.

### Overall Exterior Dimensions

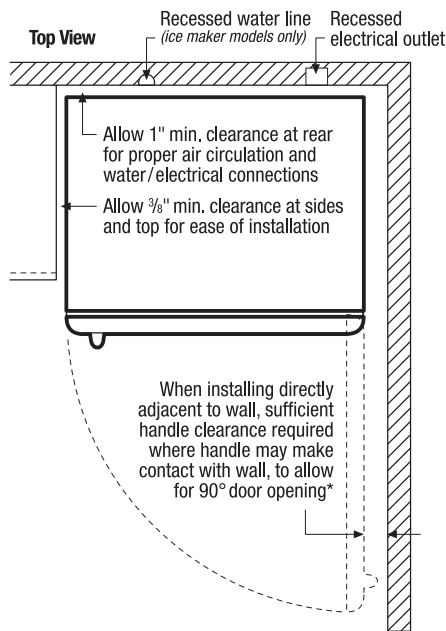
Height (Including Hinges & Rollers)	69"
Width	29-5/8"
Depth	31-3/4"

### Available in:

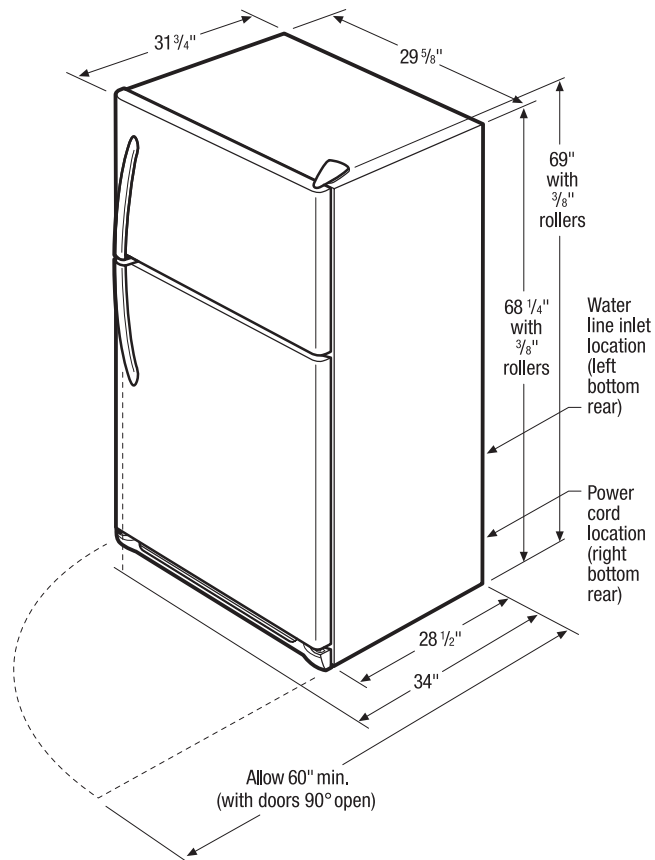


Stainless  
(F/R)

\*Left-Swing Door



\* When installing refrigerator adjacent to wall, cabinet or other appliance that extends beyond front edge of unit, 20" minimum clearance recommended to allow for optimum 140° door swing, providing complete crisper access and removal. (Absolute 3" minimum clearance will ONLY allow for 90° door swing which will provide limited crisper access with restricted removal.)



## Top Mount Refrigerator Specifications

- Product Shipping Weight (approx.) - 220 Lbs.
- An electrical supply with grounded three-prong receptacle is required. The power supply circuit must be installed in accordance with current edition of National Electrical Code (NFPA 70) and local codes & ordinances.
- Voltage Rating - 120V/60Hz/15 Amps
- Connected Load (kW Rating) @ 120 Volts = .54kW
- Amps @ 120 Volts = 4.5 Amps
- Always consult local and national electric & plumbing codes.
- Floor should be level surface of hard material, capable of supporting fully loaded refrigerator.
- Minimum 3/8" clearance required for sides and top of refrigerator with 1" clearance at rear to allow for ease of installation, proper air circulation, and plumbing/electrical connections.
- When installing refrigerator adjacent to wall, cabinet or other appliance that extends beyond front edge of unit, 20" minimum clearance recommended to allow for optimum 140° door swing, providing complete crisper access and removal. (Absolute 3" minimum clearance will ONLY allow for 90° door swing which will provide limited crisper access with restricted removal.)
- To ensure optimum performance, do not install in areas where temperature drops below 55° F or rises above 110° F and avoid installing in direct sunlight or close proximity to range, dishwasher or other heat source.
- For proper ventilation, front grille MUST remain unobstructed.
- Recess electrical outlet when possible.
- Optional Ice Maker Kit (PN# IM115) available for installation in ice maker-ready models only.
- Water recess on rear wall recommended to prevent water line damage.
- Water Pressure - Cold water line must provide between 30 and 100 pounds per square inch (psi).
- Copper tubing with 1/4" O.D. recommended for water supply line with length equal to distance from rear of unit to household water supply line plus 7 additional feet. Optional Water Supply Installation Kits available.
- Adjustable front rollers to assist with door alignment.

**Note:** For planning purposes only. Refer to Product Installation Guide on the web at [frigidaire.com](http://frigidaire.com) for detailed instructions.

## Optional Accessories

- Ice Maker Kit - (PN# IM115)