



Side-by-Side Refrigerators

FGHS2368L P/E

23 Cu. Ft. Standard-Depth



Product Dimensions

| | |
|-------------------------------------|---------|
| Height (Including Hinges & Rollers) | 69-3/8" |
| Width (Doors) | 33" |
| Depth (Including Door) | 33" |

More Easy-To-Use Features

PureAir Ultra® Filters

Keeps the air cleaner and fresher.

SpillSafe® Shelves

Designed to keep spills contained, making cleanup a breeze.

Express-Select® Controls

Easily select options with the touch of a button.

Energy Saver Plus Technology³

Our refrigerator will automatically go into an energy-saving mode if not opened for 24 hours.

ENERGY STAR®

Sabbath Mode (Star-K® Certified)



Signature Features



SpaceWise® Organization System

Our SpaceWise® organization system makes it easy to keep food organized and easy to find when you need it.



Best-in-Class Ice & Water Filtration¹

PureSource Ultra® Water Filtration offers best-in-class water filtration so you get cleaner, better-tasting water at your fingertips.



Quick Ice²

Quick Ice delivers up to 37 percent more ice.



Quick Freeze

Quickly freeze whatever you store to keep foods at their freshest.

Available in:



Pearl (P)



Ebony (E)

¹As compared to other consumer refrigeration water filtration systems.

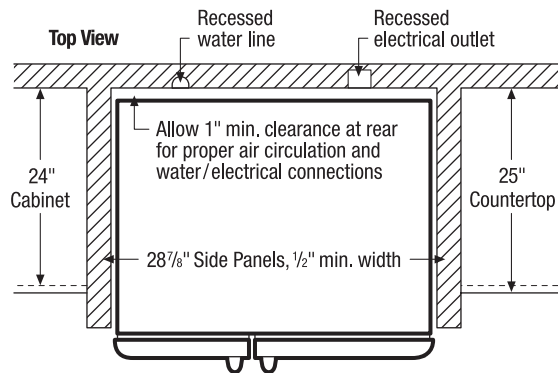
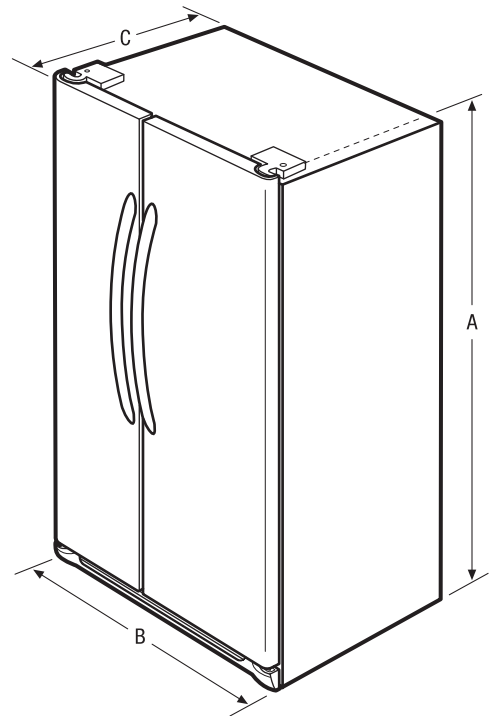
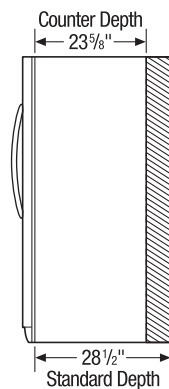
²In a 24-hour period.

³If this refrigerator door is not opened for 24 hours AND the refrigerator system is set to the 12-hour defrost cycle, then the system automatically goes to a 96-hour compressor run time defrost cycle to conserve electricity.

| Features | |
|---|---------------------|
| Door Design | Soft-Arc |
| Door Handle Design | Color-Coordinated |
| Cabinet Finish | Color-Coordinated |
| Door Stops/Door Closers | Yes/Yes |
| Door Hinge Covers | Hidden |
| Rollers - Front/Rear | Adjustable/Yes |
| Energy Saver Plus Technology | Yes |
| Water Filter Location | Top Right Rear-Side |
| Sound Package | Quiet Pack |
| Dispenser | |
| Controls | Express-Select® |
| Dispenser Design | Tall, Single Paddle |
| Number of Dispenser Buttons | 11 |
| Crushed Ice/Cube Ice/Chilled Water | Yes/Yes/Yes |
| Ice Option | Quick Ice |
| Freeze Option | Quick Freeze |
| Display On/Off Option | |
| Lock/Light | Yes/Yes |
| Temp/Door Ajar/Power Failure Alerts | |
| Water Filter Change Indicator Light | Yes |
| Air Filter Change Indicator Light | Yes |
| Refrigerator Features | |
| Interior Lighting | Standard |
| Water Filter Type | PureSource Ultra® |
| Air Filter Type | PureAir Ultra® |
| Fixed Shelves | |
| Sliding Shelves | 3 SpillSafe® |
| Cool Zone™ Drawer | 1 Stacked |
| Wine/Can Rack | |
| Upper Crisper/Lower Crisper | 1 Clear/1 Clear |
| Humidity Controls | 2 |
| Dairy Compartment | 1 Clear |
| Fixed Door Bins | 2 Two-Liter Clear |
| Adjustable Door Bins | 2 One-Gallon Clear |
| Non-Slip Bin Liner/Bottle Retainers | |
| Condiment Bin | |
| Freezer Features | |
| Door Bins/Tilt-Out Wire Door Bins | 4 White/No |
| Fixed Shelves | 1 Flip-Out /1 Wire |
| Full Extension Baskets | |
| Full Freezer Baskets | 1 Plastic/1 Wire |
| Half Freezer Baskets | |
| Ice Cream Shelf/Pizza Shelf | Yes/No |
| SpaceSaver™ Shelf | |
| Lighting | Yes |
| Certifications | |
| ENERGY STAR® | Yes |
| Sabbath Mode (Star-K® Certified) | Yes |
| Specifications | |
| Total Capacity (Cu. Ft.) | 22.6 |
| Refrigerator Capacity (Cu. Ft.) | 14.2 |
| Freezer Capacity (Cu. Ft.) | 8.3 |
| Power Supply Connection Location | Right Bottom Rear |
| Water Inlet Connection Location | Left Bottom Rear |
| Voltage Rating | 120V/60Hz/15 or 20A |
| Connected Load (kW Rating) @ 120 Volts¹ | 1.02 |
| Amps @ 120 Volts | 8.5 |
| Minimum Circuit Required (Amps) | 15 |
| Shipping Weight (Approx.) | 285 Lbs. |

¹For use on adequately wired 120V, dedicated circuit having 2-wire service with a separate ground wire. Appliance must be grounded for safe operation.

Standard Refrigerator Depth vs. Counter Depth



NOTE: For planning purposes only. Always consult local and national electric and plumbing codes. Refer to Product Installation Guide for detailed installation instructions on the web at frigidaire.com.



| Overall Exterior Dimensions | |
|---------------------------------------|---------------|
| A - Height (Incl. Hinges and Rollers) | 69-3/8" |
| B - Cabinet Width/Door Width | 32-5/8" / 33" |
| C - Depth (Incl. Door) | 33" |
| Depth with Door Open 90° | 49-7/8" |

Accessories information available on the web at frigidaire.com

FRIGIDAIRE

USA • 10200 David Taylor Drive • Charlotte, NC 28262 • 1-800-FRIGIDAIRE • frigidaire.com
 CANADA • 5855 Terry Fox Way • Mississauga, ON L5V 3E4 • 1-800-265-8352 • frigidaire.ca

FGHS2368L 12/10

© 2010 Electrolux Home Products, Inc.

Specifications subject to change.
 Printed in the U.S.A.

Use these dimensions and clearance instructions for planning purposes only. For detailed installation instructions, refer to installation guide, packed with product, or on the web at frigidaire.com.



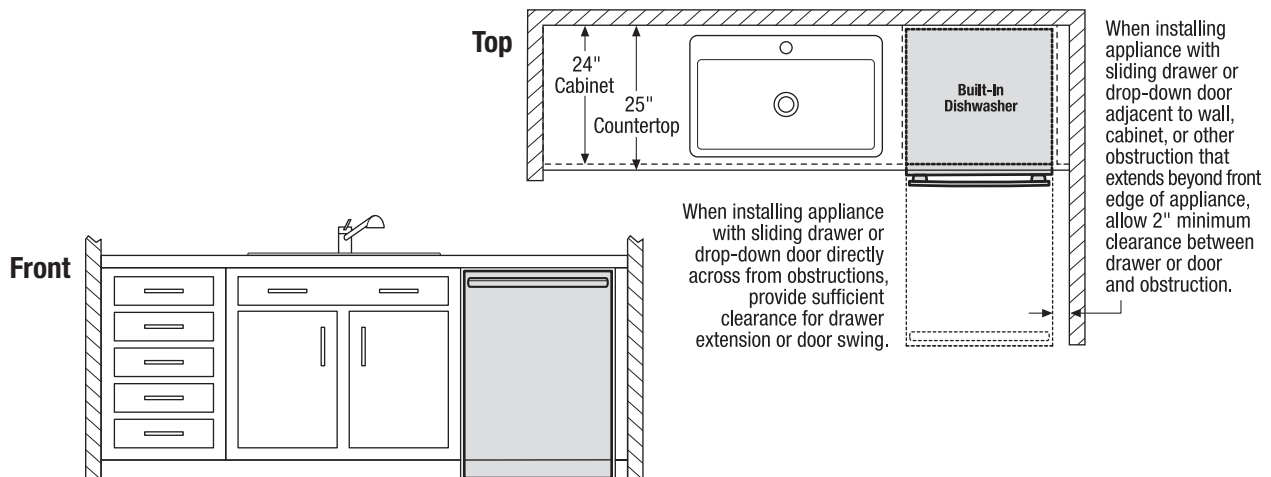
When installing appliances adjacent to each other, 20" minimum distance between each appliance required.

When installing built-in cooking appliances in combination, 2" minimum visible gap between appliance faceplates required.



When installing side-by-side refrigerator adjacent to wall, cabinet or another appliance that extends beyond front edge of unit, 20" minimum clearance recommended to allow for optimum 120° to 180° door swing, providing complete drawer/crisper access and removal.

When installing appliance with sliding drawer, swinging or drop-down door directly across from obstructions, provide sufficient clearance for drawer extension or door swings.



When installing appliance with sliding drawer or drop-down door directly across from obstructions, provide sufficient clearance for drawer extension or door swing.

When installing appliance with sliding drawer or drop-down door adjacent to wall, cabinet, or other obstruction that extends beyond front edge of appliance, allow 2" minimum clearance between drawer or door and obstruction.