



Side-by-Side Refrigerator

FGHC2345L F

23 Cu. Ft. Counter-Depth



Product Dimensions

Height (Including Hinges & Rollers)	69-3/8"
Width (Doors)	36"
Depth (Including Door)	28-1/4"

More Easy-To-Use Features

PureAir Ultra® Filters

Keeps the air cleaner and fresher.

SpillSafe® Shelves

Designed to keep spills contained, making cleanup a breeze.

Express-Select® Controls

Easily select options with the touch of a button.

Energy Saver Plus Technology²

Our refrigerator will automatically go into an energy-saving mode if not opened for 24 hours.

ENERGY STAR®

Sabbath Mode (Star-K® Certified)



Signature Features



Most Usable Shelf Space¹

Our adjustable shelves have room to store more.



SpaceWise® Organization System

Our SpaceWise® organization system makes it easy to keep food organized and easy to find when you need it.



Real Stainless Steel

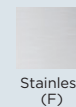
Real stainless steel with a protective coating that reduces fingerprints and smudges so it's easy to clean.



PureSource 3® Ice & Water Filtration

Offers cleaner, better-tasting water and ice at your fingertips.

Available in:



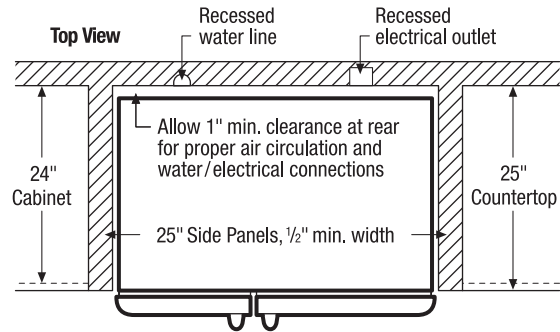
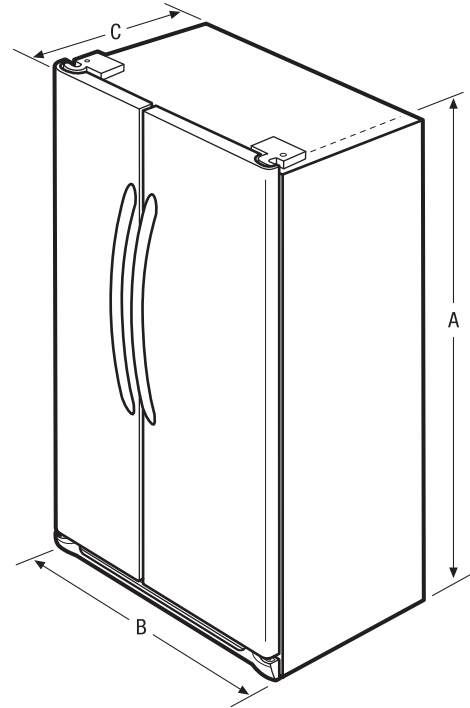
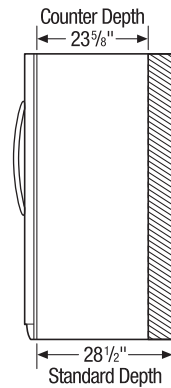
Stainless (F)

¹As compared to other counter-depth side-by-side models.

²If this refrigerator door is not opened for 24 hours AND the refrigerator system is set to the 12-hour defrost cycle, then the system automatically goes to a 96-hour compressor run time defrost cycle to conserve electricity.

Features	
Door Design	Soft-Arc
Door Handle Design	Stainless Steel
Cabinet Finish	Grey
Door Stops/Door Closers	Yes/Yes
Door Hinge Covers	Hidden
Rollers - Front/Rear	Adjustable/Yes
Energy Saver Plus Technology	Yes
Water Filter Location	Top Right Rear
Sound Package	Quiet Pack
Dispenser	
Controls	Express-Select*
Dispenser Design	Tall, Single Paddle
Number of Dispenser Buttons	6
Crushed Ice/Cube Ice/Chilled Water	Yes/Yes/Yes
Ice Option	
Freeze Option	
Display On/Off Option	Yes
Control Lock/Light	Yes/Yes
Temp/Door Ajar/Power Failure Alerts	
Water Filter Change Indicator Light	Yes
Air Filter Change Indicator Light	
Refrigerator Features	
Interior Lighting	Standard
Water Filter Type	PureSource 3*
Air Filter Type	PureAir Ultra*
Fixed Shelves	2 SpillSafe*
Sliding Shelves	1 SpillSafe*
Cool Zone™ Drawer	1 Stacked
Wine/Can Rack	No/1 Clear
Upper Crisper/Lower Crisper	1 Clear/1 Clear
Humidity Controls	2
Dairy Compartment	1 Clear
Fixed Door Bins	1 One-Gallon Clear
Adjustable Door Bins	2 Two-Liter Clear
Non-Slip Bin Liner/Bottle Retainers	
Condiment Bin	1 Clear
Freezer Features	
Door Bins/Tilt-Out Wire Door Bins	4 White/No
Fixed Shelves	1 Flip-Out/2 Wire
Full Extension Baskets	
Full Freezer Baskets	1 Wire
Half Freezer Baskets	
Ice Cream Shelf/Pizza Shelf	
SpaceSaver™ Shelf	Yes
Lighting	Yes
Certifications	
Sabbath Mode (Star-K® Certified)	Yes
ENERGY STAR®	Yes
Specifications	
Total Capacity (Cu. Ft.)	22.6
Refrigerator Capacity (Cu. Ft.)	14.1
Freezer Capacity (Cu. Ft.)	8.5
Power Supply Connection Location	Right Bottom Rear
Water Inlet Connection Location	Left Bottom Rear
Voltage Rating	120V/60Hz/15 or 20A
Connected Load (kW Rating) @ 120 Volts¹	1.02
Amps @ 120 Volts	8.5
Minimum Circuit Required (Amps)	15
Shipping Weight (Approx.)	310 Lbs.

Standard Refrigerator Depth vs. Counter Depth



NOTE: For planning purposes only. Always consult local and national electric and plumbing codes. Refer to Product Installation Guide for detailed installation instructions on the web at frigidaire.com.



Product Dimensions		"Built-In Look" Cutout Dimensions	
A - Height (Incl. Hinges & Rollers)	69-3/8"	Height (Incl. Hinges and Rollers)	70-1/4"
B - Cabinet Width/Door Width	35-5/8" / 36"	Width	36"
C - Depth (Incl. Door)	28-1/4"	Depth	25"
Depth with Door Open 90°	45"		

¹For use on adequately wired 120V, dedicated circuit having 2-wire service with a separate ground wire. Appliance must be grounded for safe operation.

Accessories information available on the web at frigidaire.com

FRIGIDAIRE

USA • 10200 David Taylor Drive • Charlotte, NC 28262 • 1-800-FRIGIDAIRE • frigidaire.com
 CANADA • 5855 Terry Fox Way • Mississauga, ON L5V 3E4 • 1-800-265-8352 • frigidaire.ca

FGHC2345L 12/10

© 2010 Electrolux Home Products, Inc.

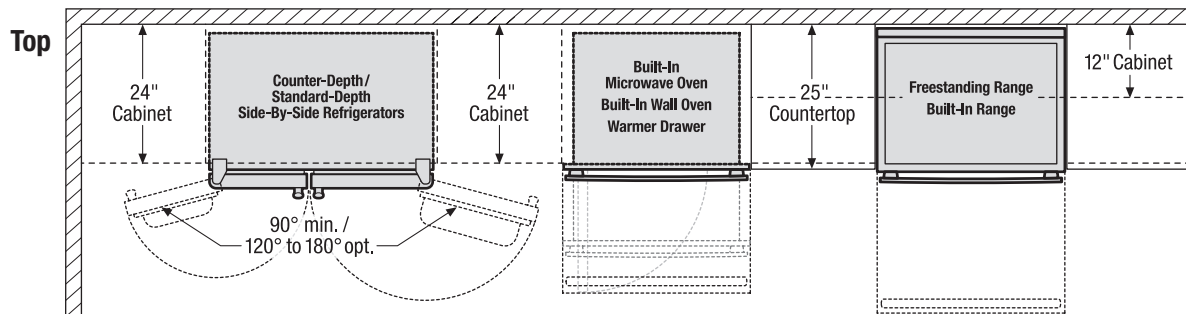
Specifications subject to change.
 Printed in the U.S.A.

Use these dimensions and clearance instructions for planning purposes only. For detailed installation instructions, refer to installation guide, packed with product, or on the web at frigidaire.com.



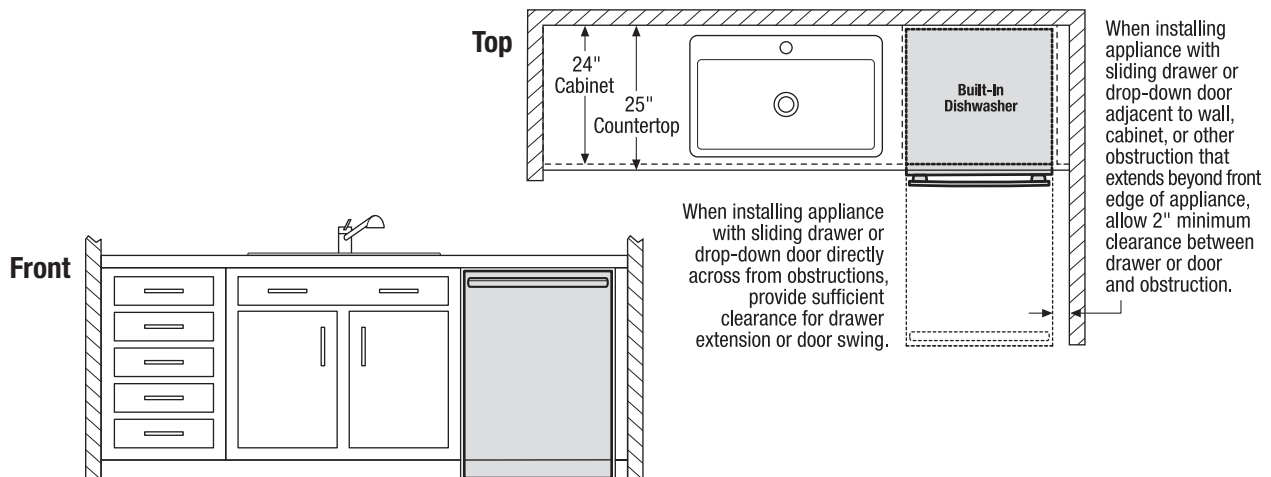
When installing appliances adjacent to each other, 20" minimum distance between each appliance required.

When installing built-in cooking appliances in combination, 2" minimum visible gap between appliance faceplates required.



When installing side-by-side refrigerator adjacent to wall, cabinet or another appliance that extends beyond front edge of unit, 20" minimum clearance recommended to allow for optimum 120° to 180° door swing, providing complete drawer/crisper access and removal.

When installing appliance with sliding drawer, swinging or drop-down door directly across from obstructions, provide sufficient clearance for drawer extension or door swings.



When installing appliance with sliding drawer or drop-down door adjacent to wall, cabinet, or other obstruction that extends beyond front edge of appliance, allow 2" minimum clearance between drawer or door and obstruction.

When installing appliance with sliding drawer or drop-down door directly across from obstructions, provide sufficient clearance for drawer extension or door swing.