

PERFORMANCE DATA NO LOAD & NO DOOR OPENINGS AT MID-POINT CONTROL SETTING				
Type A With Run/ Start Capacitor	70°F (21.1°C) Ambient	90°F (32°C) Ambient		
Operating Time	26 to 29%	47 to 54%		
Freezer Temperature	5° to -2.2°F (-15° to -19°C)	5° to -2.2°F (-15° to -19°C)		
Refrigerator Temperature	35° to 40°F (2° to 4°C)	35° to 40°F (2° to 4°C)		
Low Side Pressure (cut-in)	-4.34 to 1.04 psig (71 to 109 kPa)	-3.24 to 0 psig (79 to 101 kPa)		
Low Side Pressure (cut-out)	-7 to -6.11 psig (53 to 59 kPa)	-7.53 to -6.95 psig (49 to 53 kPa)		
High Side Pressure (last 1/3 cycle)	39 to 41 psig (372 to 381 kPa)	53 to 54 psig (463 to 476 kPa)		
Wattage (last 1/3 cycle)	70 W	70 W		
Amps (running)	0.9 to 1.1 A	0.9 to 1.1 A		
Base Voltage	115 V	115 V		
Refrigerant Charge	1.58 oz. (45 g)			
DEFROST SPECIFICATIONS				
Cabinet Size: 14'	Thermal Fuse	Heater		Defrost Thermistor
	Cut-out	Watts	Ohms	Termination
	161.6°F (72°C)	166	79.7	48°F (8.89°C)
EVAPORATOR FAN MOTOR				
	Watts	RPM	Amps	
	3.1 (max)	2700 CW	0.258 Running	
ICE MAKER SPECIFICATIONS				
Electrical	115 vac (127 vac max)		60 Hertz	
ICE MAKER CONNECTOR PLUG CONNECTIONS				
	Wire Number	Wire Color	Connects to:	
	1	Light Blue	Neutral	
	2	Yellow	Water Valve	
	3	Black	Line	

SERVICE DATA SHEET

A17120401

STANDARD - AUTOMATIC DEFROST TOP MOUNT FREEZER - R600a

IMPORTANT SAFETY NOTE

The information provided herein is designed to assist qualified repair personnel only. Untrained persons should not attempt to make repairs due to the possibility of electrical shock. Disconnect power cord before servicing this appliance.

IMPORTANT

If any green grounding wires are removed during servicing, they must be returned to their original position and properly secured.

⚠ CAUTION

All electrical parts and wiring must be shielded from torch flame. DO NOT allow torch to touch insulation; it will char at 200°F and flash ignite (burn) at 500°F. Excessive heat will distort the plastic liner.

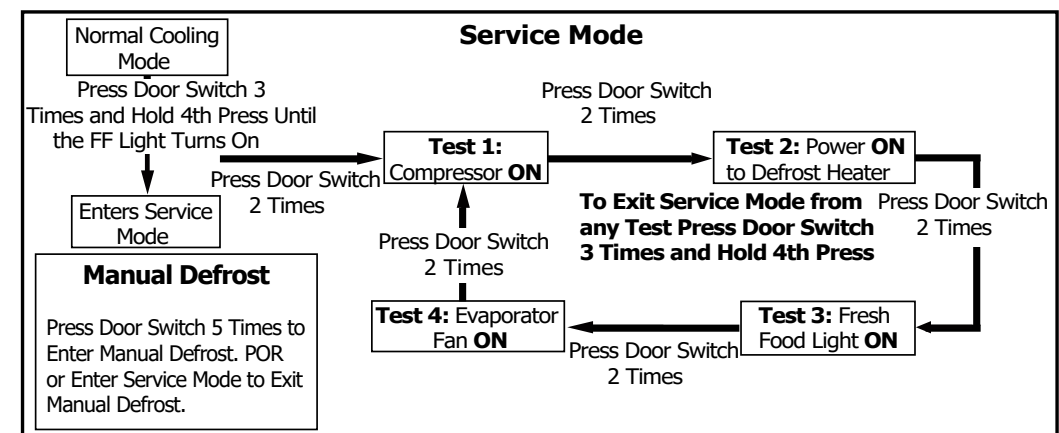
MANUAL DEFROST	
Unit will complete normal defrost cycle.	
enter	--> Press the FF door switch 5 times in 2 secs.
exit	--> Cycle power to the unit or enter and exit SERVICE MODE. (See SERVICE MODE)
Defrost is terminated when defrost thermistor located on the evaporator coil reaches 48°F (8.89°C).	

IMPORTANT

START-UP NOTE: Upon 1st start-up or power cycle, the compressor will come on after 15 seconds and run for 4 minutes. If the door switch is not cycled during this time, the compressor may cut off after 4 minutes and not turn back on for another 3 minutes. It may take up to 10 minutes for the compressor to turn on and run in normal mode.

IMPORTANT
PLEASE RETURN THIS SHEET TO ITS ORIGINAL LOCATION.

SERVICE MODE		
SERVICE MODE will step through available tests to diagnose individual electrical circuits. Fresh Food compartment light will be OFF while in SERVICE MODE.		
enter/exit	--> Press the door switch 3 times and hold the 4th press until the FF light turns on. When switch is released the light should turn off. The door switch must be pressed 4 times in 2 seconds.	
initiate first/next test	--> Press the door switch 2 times.	
1	Compressor	Press the FF door switch twice to start the first test. In each test, the component listed will be powered on. The component will stay powered until the next test is activated, or until 5 minutes of inactivity expire. Listen for operating sounds; feel for heat or air flow, as appropriate, to determine the result of each test. Press the FF door switch twice again to advance between tests.
2	Heater	
3	FF Light	
4	Evaporator Fan	



ICE MAKER INFORMATION

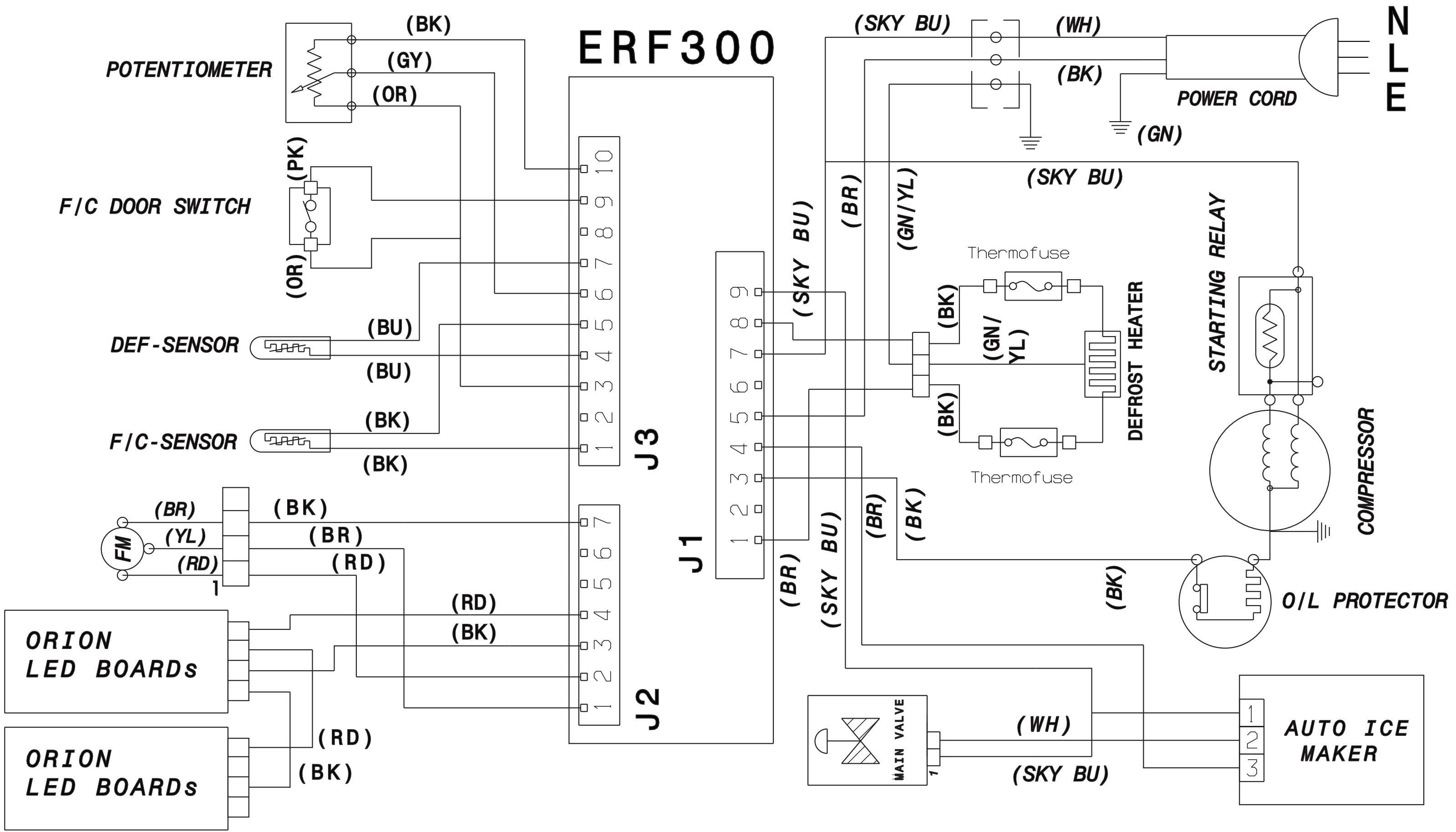
Turn the IM ON and OFF: Press and hold the POWER button for ½ second to turn the IM ON and OFF. When the IM is ON, the Power button will be illuminated solid green.

Test Cycling: Press and release the TEST/SERVICE button to start the self-diagnostic function. The tray will perform two rotations. The ice level arm must be held so that it does not drop during the first rotation (simulating full ice bin). Once the tray returns to the Home position, the arm can be released. Allow the arm to drop normally during the second rotation (simulating empty ice bin). Once the tray returns Home after the second rotation, the POWER button will change back to solid green if no errors were detected during the test. This means the IM operates properly. If errors are detected at any time during the test, the test will stop immediately and the POWER button will blink rapidly continuously. In this case, there is some internal failure of the IM. **NOTE: If the arm is not held during the first rotation, the IM will indicate a failure falsely.** To run the test again to verify, the IM must be turned OFF and back ON.

Manual Water Fill: Press and hold the TEST/SERVICE button for 3+ seconds.

Adjust Water Fill Size: Press and hold the POWER and TEST/SERVICE buttons together for 3 seconds. The POWER button will blink to show the current setting.

1 blink = small, 2 blinks = med, 3 blinks = large, 4 blinks = extra large. Press the TEST/SERVICE button to advance to the next level. When at extra large, the next press goes back to small. The factory default is small.



Wiring Diagram A14424502