

SEARS
HomeCentralSM

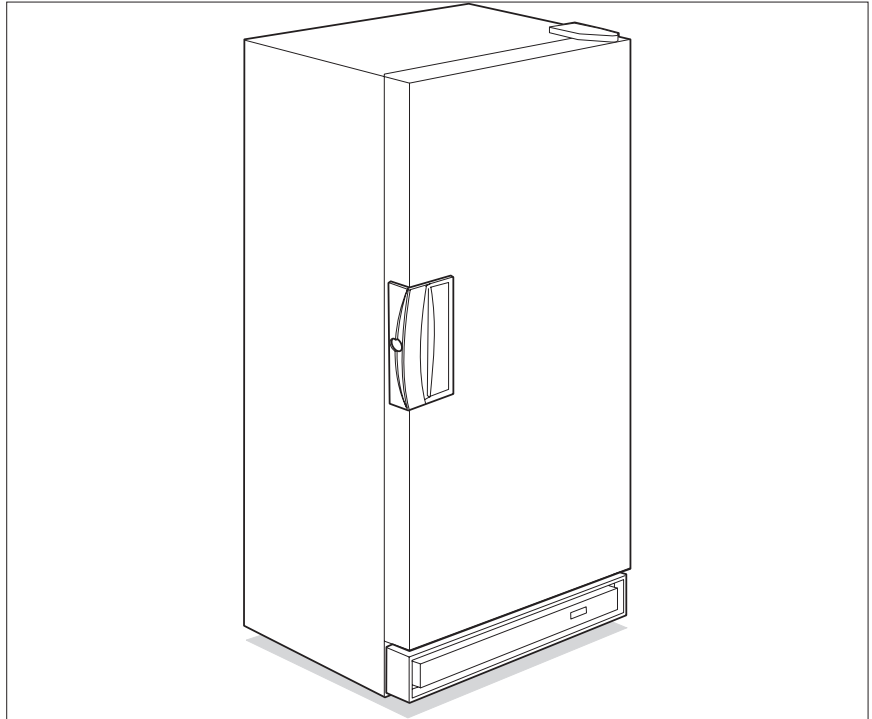
The Service Side of Sears.SM

**REPAIR
PARTS
LIST**

253.21711103

**To Call Toll Free
For Parts:
1-800-366-PART
(1-800-366-7278)**

**For Service:
1-800-4-MY-HOMESM
(1-800-469-4663)**



SEARS

UPRIGHT FREEZER

In all orders or correspondence avoid delays and misunderstandings by always giving the complete model number shown on the left side of the access panel.

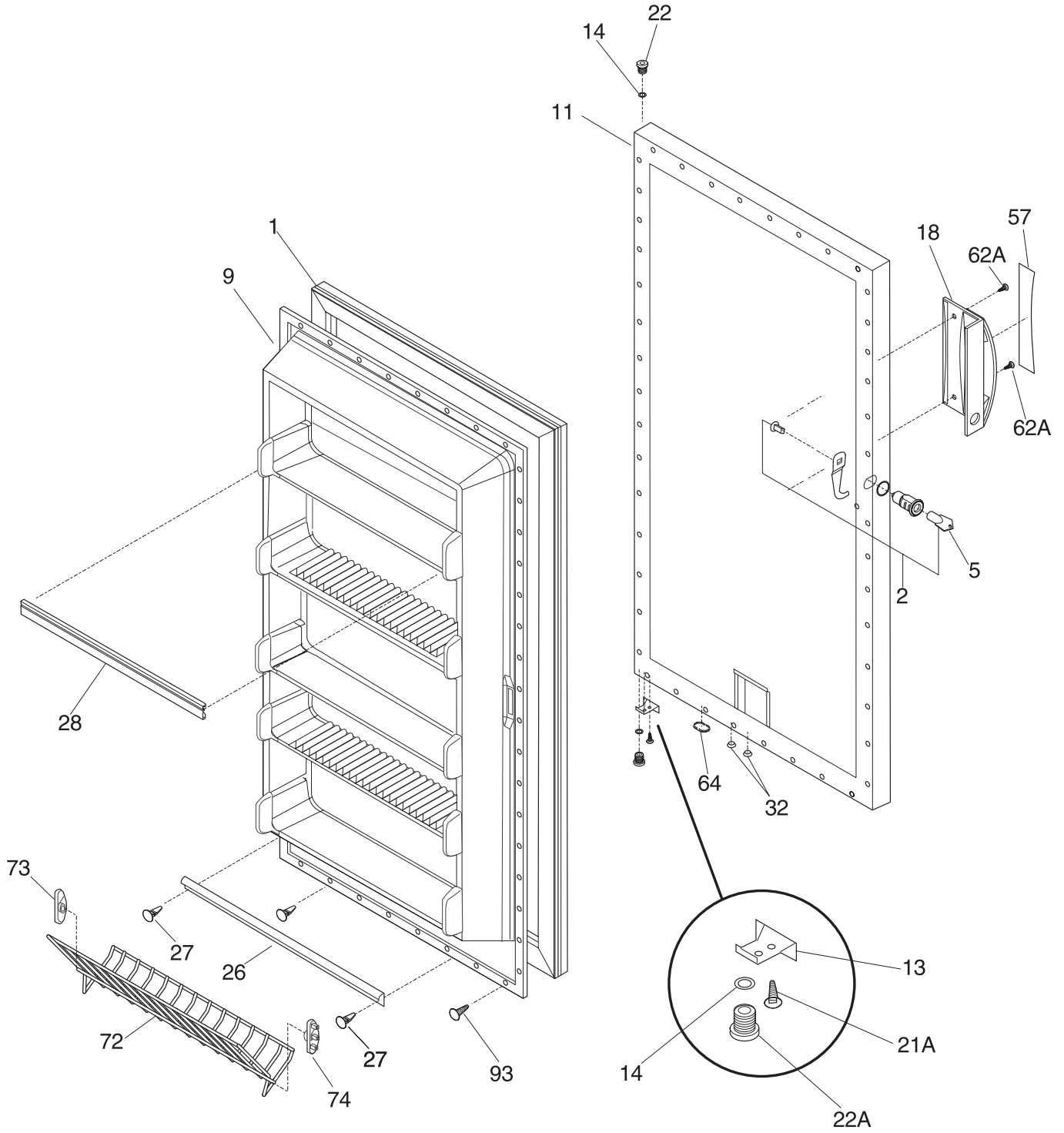
All repair parts listed are available for immediate purchase or special order when you visit your nearest Sears Service Center, or the Service Department at most Sears stores. To order parts by phone, call the toll free parts number listed to the left.

When requesting service or ordering parts, always provide the following information:

- **Product Type**
- **Part Number**
- **Model Number**
- **Part Description**

DOOR

CAUTION: Use the Kenmore part number to order parts, not the illustration number.



253.21711101

DOOR

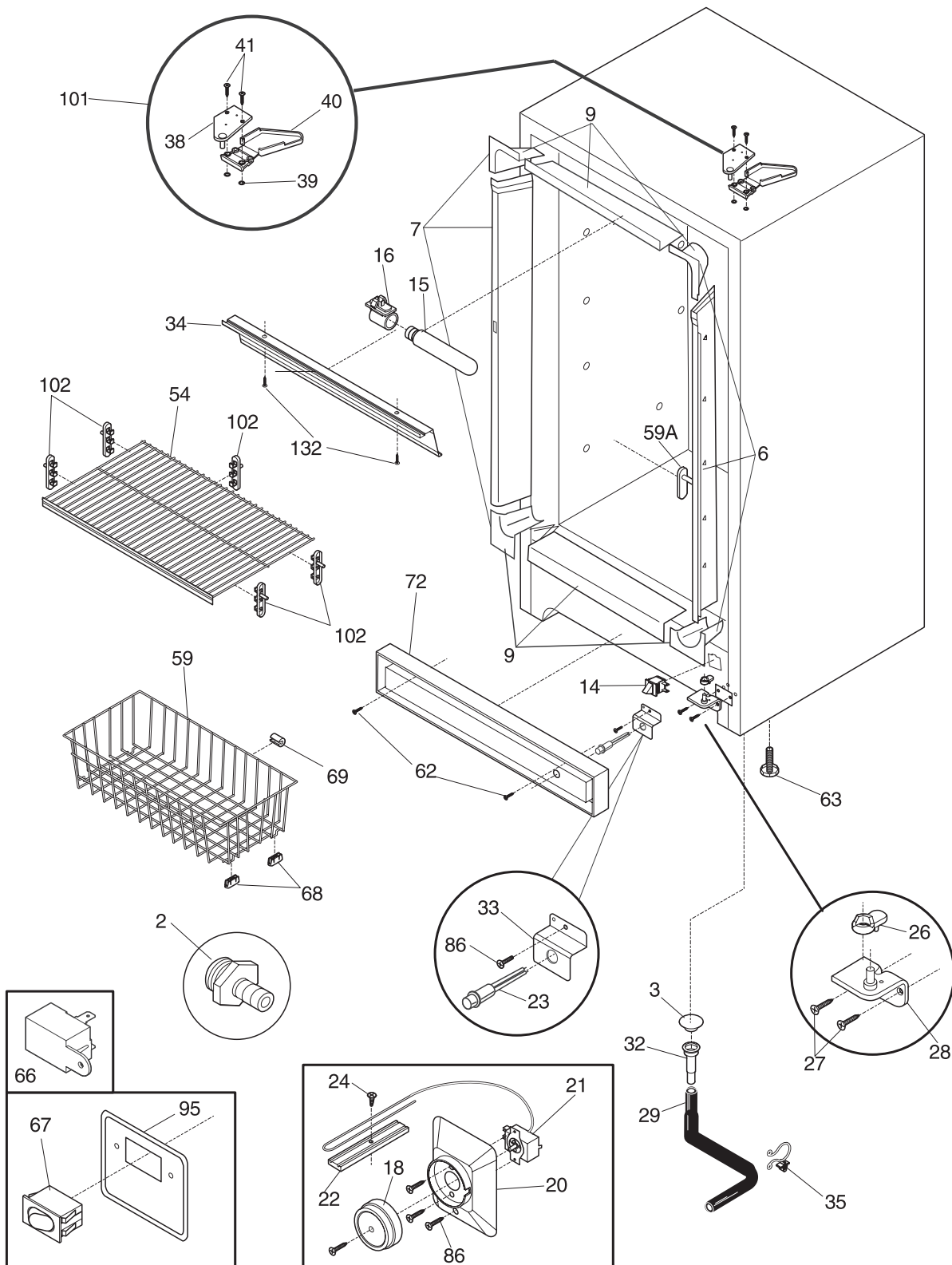
CAUTION: Use the Kenmore part number to order parts, not the illustration number.

POS. NO	PART NO	DESCRIPTION
1	216522309	Gasket-door,white
2	5303925107	Lock Assy
5 #	216702900	Key,lock
9	216527803	Panel-inner door,white ,frzr
11	5303925468	Panel-outer door,white
13	08016354	Door Stop
14	5303313518	Washer,sealing
18	216206900	Handle
21A	08005520	Screw-door stop mtg,flat hd metric ,4.0 x 0.7-19.7
22	216443600	Bearing
22A	216503200	Bearing-hinge,btm
26	216524200	Gasket,secondary
27	5303212828	Clip,panel
28	216807700	Rack-door
32	5309950074	Valve-breather
57	216508300	Overlay,decorative
62A	131420300	Screw,cr truss head ,8-18AB x 0.750
64	216403700	Plug-button,door base
72	216514100	Shelf,tilt out ,wire
73	216513900	End Cap,tiltout ,LH
74	216514000	End Cap,tiltout ,RH
93	5303161215	Screw
*	216205400	Washer,signal light
*	216578600	Label Food Storage
*	5303269745	Nut-anchor,door hdl screw

253.21711103

CABINET

CAUTION: Use the Kenmore part number to order parts, not the illustration number.



253.21711101

CABINET

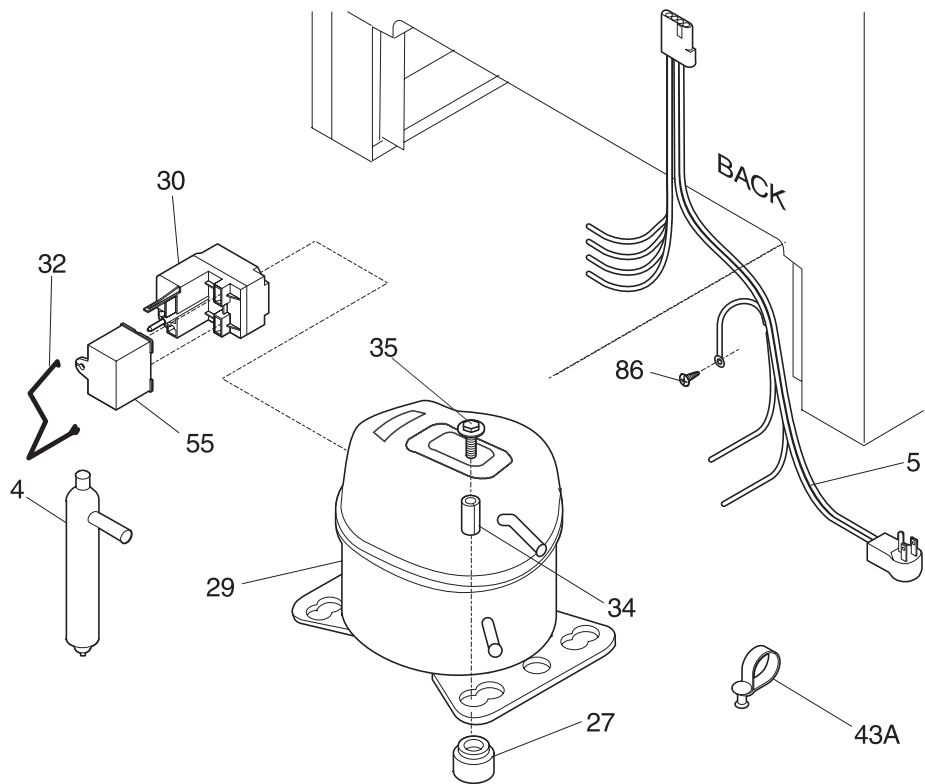
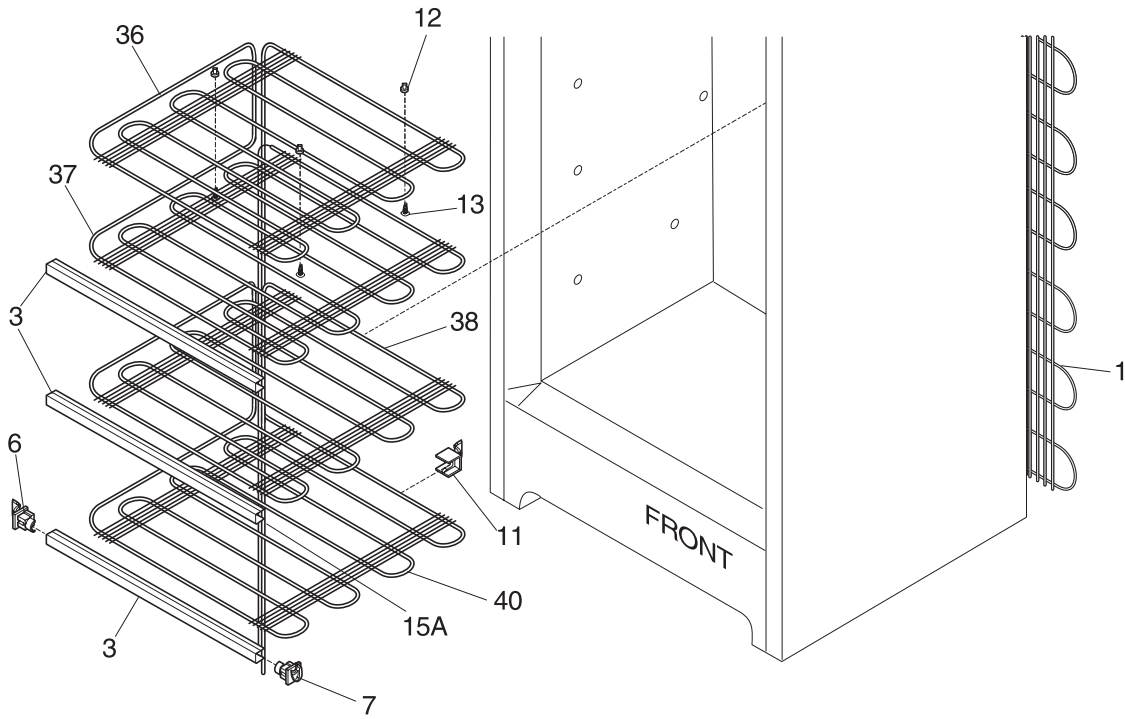
CAUTION: Use the Kenmore part number to order parts, not the illustration number.

POS. NO	PART NO	DESCRIPTION
2	216269500	Adapter-drain
3	216502600	Plug-drain,interior ,interior
6	216604200	Breaker Kit w/corners
7	216603700	Breaker Kit w/corners,lock catch
9	216603300	Breaker Kit w/corners,32" ,top or bottom
14	216822900	Light/Lamp,ramp
15 #	216608600	Lamp,light bulb ,40 W ,120 V
16 #	5300136117	Socket-light/lamp
18	216707200	Knob-control cold
20	216707300	Cover-control housing
21 #	216788200	Control-temperature
22	216823500	Clamp,cap tube ,cold control
23	216511700	Light-signal
24	5300052943	Screw-clamp,truss hd cr ,control
26	216503300	Ramp,closer ,door
27	5303205738	Screw-hinge,cr ,1/4-20 x 1.000 ,btm
28	216247400	Hinge-bottom
29	216313502	Hose-drain
32	5308005500	Drain
33	216511600	Bracket,signal light
33*	216511601	Bracket,signal light
34	216816200	Shield-light
35	216273000	Clip,drain hose
38	216808900	Hinge-upper
39	5303294372	Nut-insert,hinge
40	216809000	Cover-hinge
41	5303001479	Screw
54	216077001	Shelf-dry
59	216154400	Basket
59A	09948791	Stop-basket
62	131420300	Screw,cr truss head ,8-18AB x 0.750
63	216396900	Foot-adjustable
66 #	216713800	Buzzer,alarm
67 #	216823200	Switch-rocker,SPST
68	08009560	Glide-basket
69	5305878546	Bumper-basket
72	216511500	Grille/Kickplate
86	216036600	Screw,rwhd (gx-ca) ,8-32 x 1/2
95	216655700	Label-Rapid Freeze
101	216835200	Kit-top hinge
102	216486900	Support-shelf
132	5303283898	Screw,6-20AB x 3/8
*	5995361549	Parts List
*	216769200	Owner's Guide
*	216798900	Service Data Sheet
*	09948773	Insulation,drain tube
*	216205400	Washer,signal light

253.21711103

SYSTEM

CAUTION: Use the Kenmore part number to order parts, not the illustration number.



253.21711101

SYSTEM

CAUTION: Use the Kenmore part number to order parts, not the illustration number.

POS. NO	PART NO	DESCRIPTION
1 #	5300083897	Condenser
3	216444800	Trim-shelf,decorated
4	216634500	Drier-filter
5 #	216791600	Harness,electrical
6	3091418	Support-shelf,front LH
7	08037928	Support-shelf,front RH
11	216474600	Support-rear shelf
12	216225700	Grommet-spacer
13	216138900	Screw,hex sems ,8-18AB x 1.00 ,evap
15A	216401400	Heat Exchanger
27	218513300	Grommet-compr mtg,(4)
29 #	216836600	Compressor,w/o electricals
30 #	216649316	Controller
32	218973501	Clamp,elec cont mtg ,compressor
34	5306594529	Sleeve-compressor
35	5303272328	Screw,Ind hex sems ,1/4-28 unfx ,compressor
36 #	216070500	Grid-top evaporator
37 #	216070600	Shelf-top evaporator
38 #	216070700	Shelf-middle evaporator
40 #	216070800	Shelf-bottom evaporator
43A	216629700	Clip-harness
55 #	218909901	Capacitor-run,220 VAC ,15 microfarad
86	216036600	Screw,rwhd (gx-ca) ,8-32 x 1/2
*	216502500	Sleeve-tube insert
*	216511900	Spacer tube,(3)

Get it fixed, at your home or ours!

For repair of major brand appliances **in your own home...**
no matter who made it, no matter who sold it!

1-800-4-MY-HOME®
(1-800-469-4663)

Anytime, day or night
(U.S.A. and Canada)

www.sears.com

www.sears.ca

For repair of carry-in products like vacuums, lawn equipment,
and electronics, call for the location of your nearest
Sears Parts and Repair Center.

1-800-488-1222 Anytime, day or night (U.S.A. only)

www.sears.com

For the replacement parts, accessories and owner's manuals
that you need to do-it-yourself, call **Sears PartsDirect™!**

1-800-366-PART
(1-800-366-7278)

6 a.m. — 11 p.m. CST, 7 days a week
(U.S.A. only)

www.sears.com/partsdirect

To purchase or inquire about a Sears Service Agreement
or Sears Maintenance Agreement:

1-800-827-6655 (U.S.A.)

7 a.m. — 5 p.m. CST, Mon. — Sat.

1-800-361-6665 (Canada)

9 a.m. — 8 p.m. EST, M — F, 4 p.m. Sat.

Para pedir servicio de reparación a
domicilio, y para ordenar piezas:

1-888-SU-HOGARSM
(1-888-784-6427)

Au Canada pour service en français:

1-877-LE-FOYER^{MC}
(1-877-533-6937)
www.sears.ca

